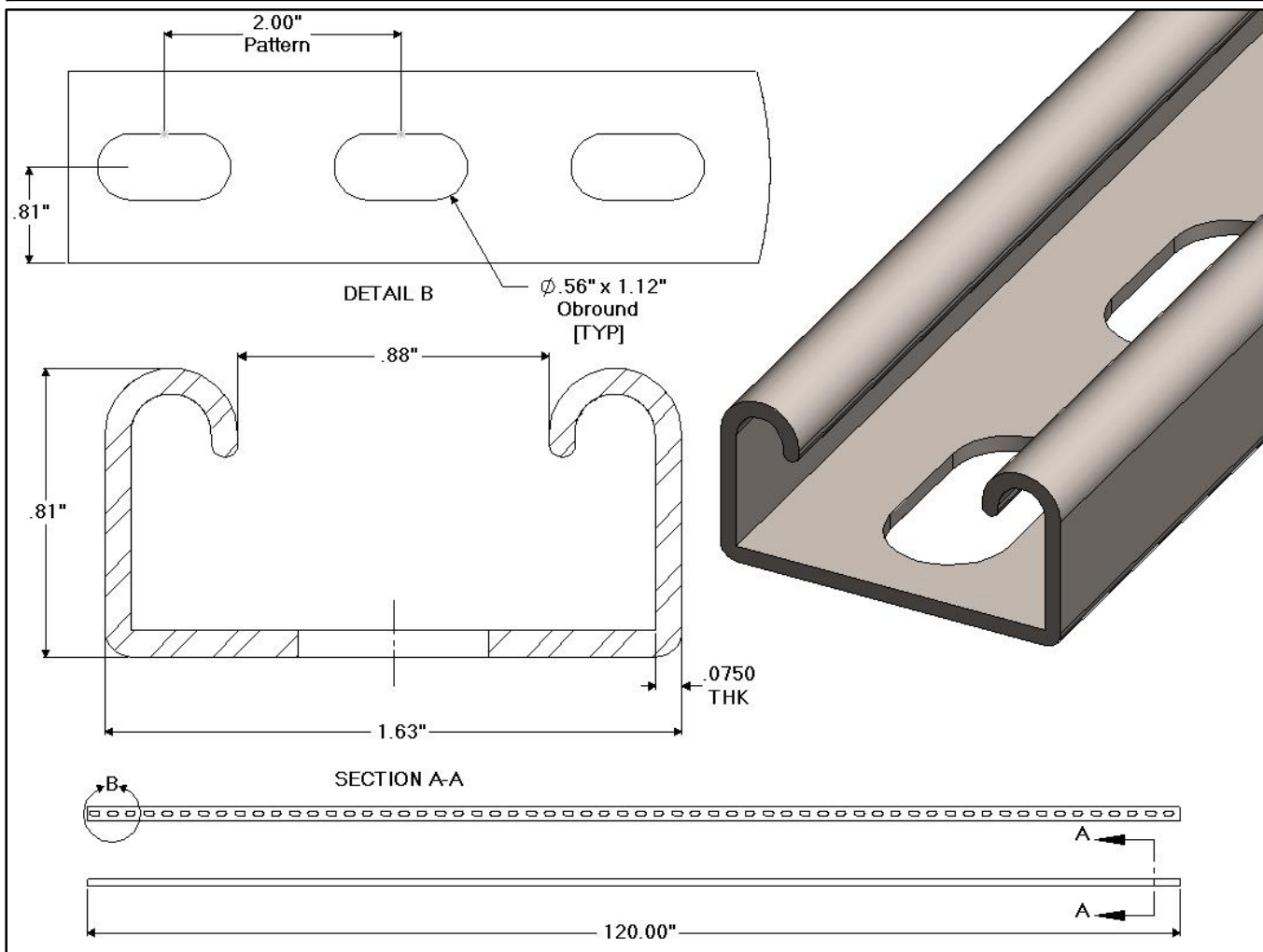


UST120H - Slotted Unistrut Low Profile



CSF P/N#	Description
UST120H	1.62" x .81" x 120.00" Length - Solid Unistrut Low Profile

Notes:

Outside dimensions are measured at corners at least 3.00" from the cut end of the section, per unistrut supplier.

Solid Sides +/- .015
Base Side +/- .035

14 Gauge Material Thickness

Reference link attached: members of the Material Framing Manufacturers Association.
<http://www.metalframingmfg.org/>

Finishes: DG, ZY, GRN

- Other sizes and finishes available upon request.

Specifications subject to change. Please contact CSF Customer Service for more information.