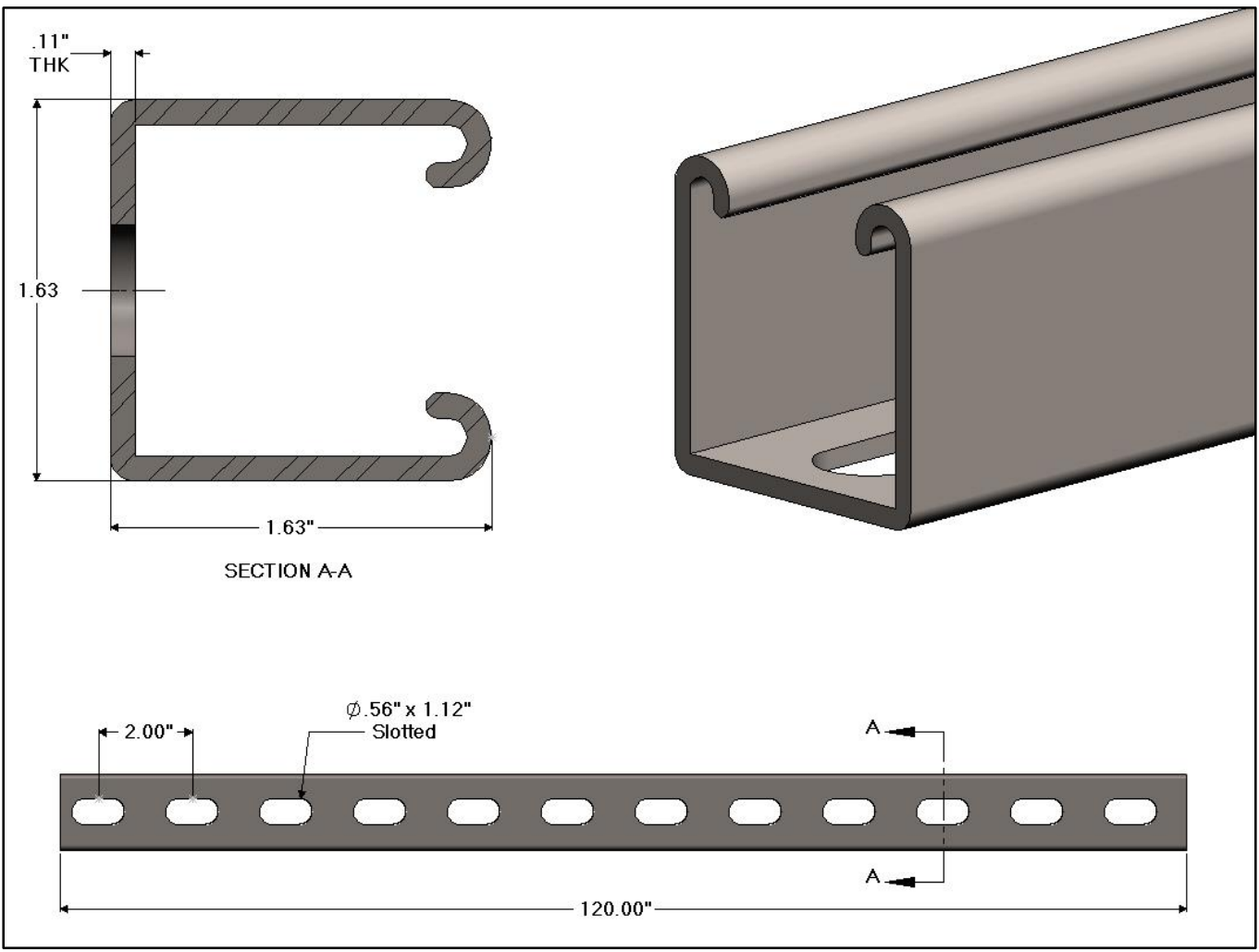


**UST120 - Slotted Unistrut x 10'-0" Length**



**Notes:**  
Outside dimensions are measured at corners at least 3.00" from the cut end of the section, per unistrut supplier.

**Unistrut Tolerances:**  
Solid Sides +/- .015  
Slotted Sides +/- .035

CSF P/N#	Finish
UST120ZY	Zinc Yellow
UST120	Telephone Grey
UST120	Central Office Blue
UST120	Black

Unistrut Thickness: 12 Gauge

Reference link attached: members of the Material Framing Manufactures Association.  
<http://www.metalframingmfg.org/>

- Other sizes and finishes available upon request.

Specifications subject to change. Please contact CSF Customer Service for more information.