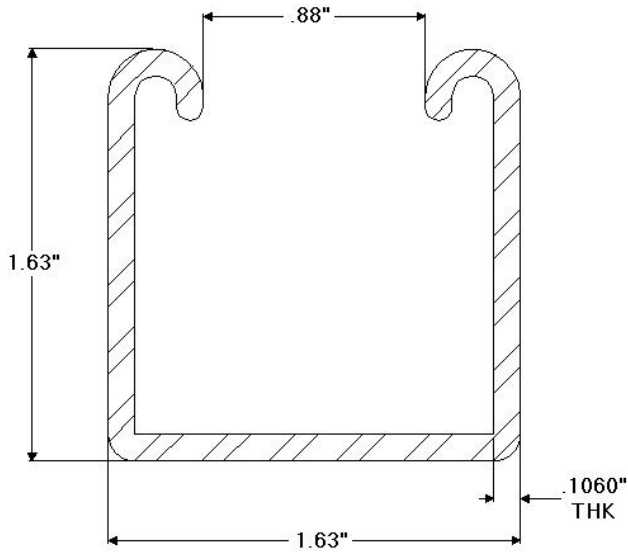
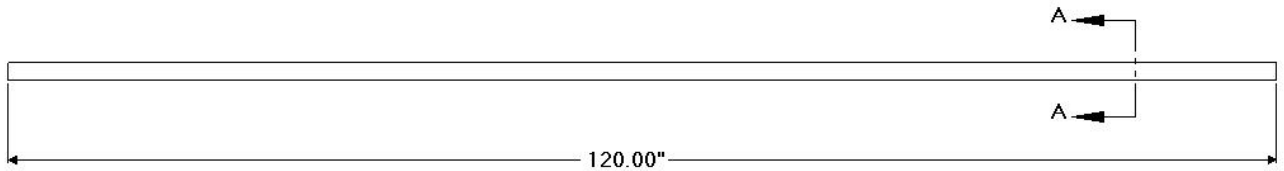
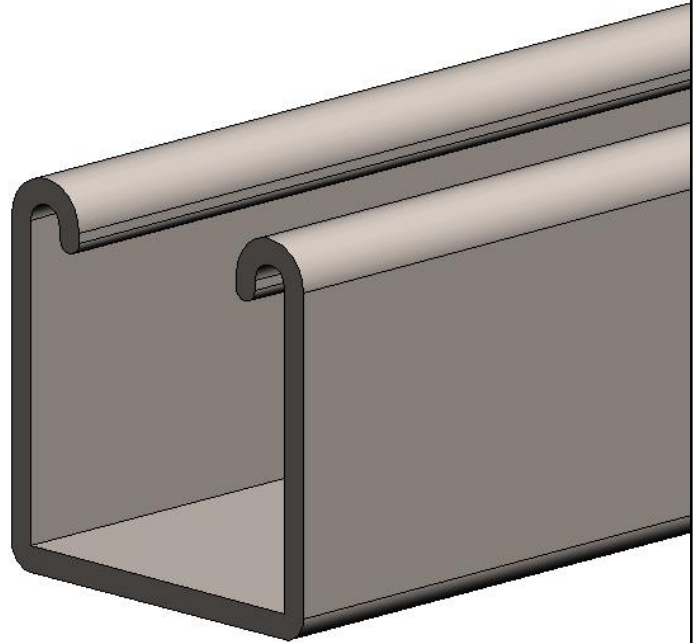


US120 - Solid Unistrut



SECTION A-A



CSF P/N#	Description
US120	1.62" x 1.62" x 120.00" Length - Solid Unistrut

Notes:
 Outside dimensions are measured at corners at least 3.00" from the cut end of the section, per unistrut supplier.

Solid Sides +/- .015
 Slotted Sides +/- .035

12 Gauge Material Thickness

Reference link attached: members of the Material Framing Manufactures Association.
<http://www.metalframingmfg.org/>

Finishes: DG, ZY, GRN
 - Other sizes and finishes available upon request.

Specifications subject to change. Please contact CSF Customer Service for more information.