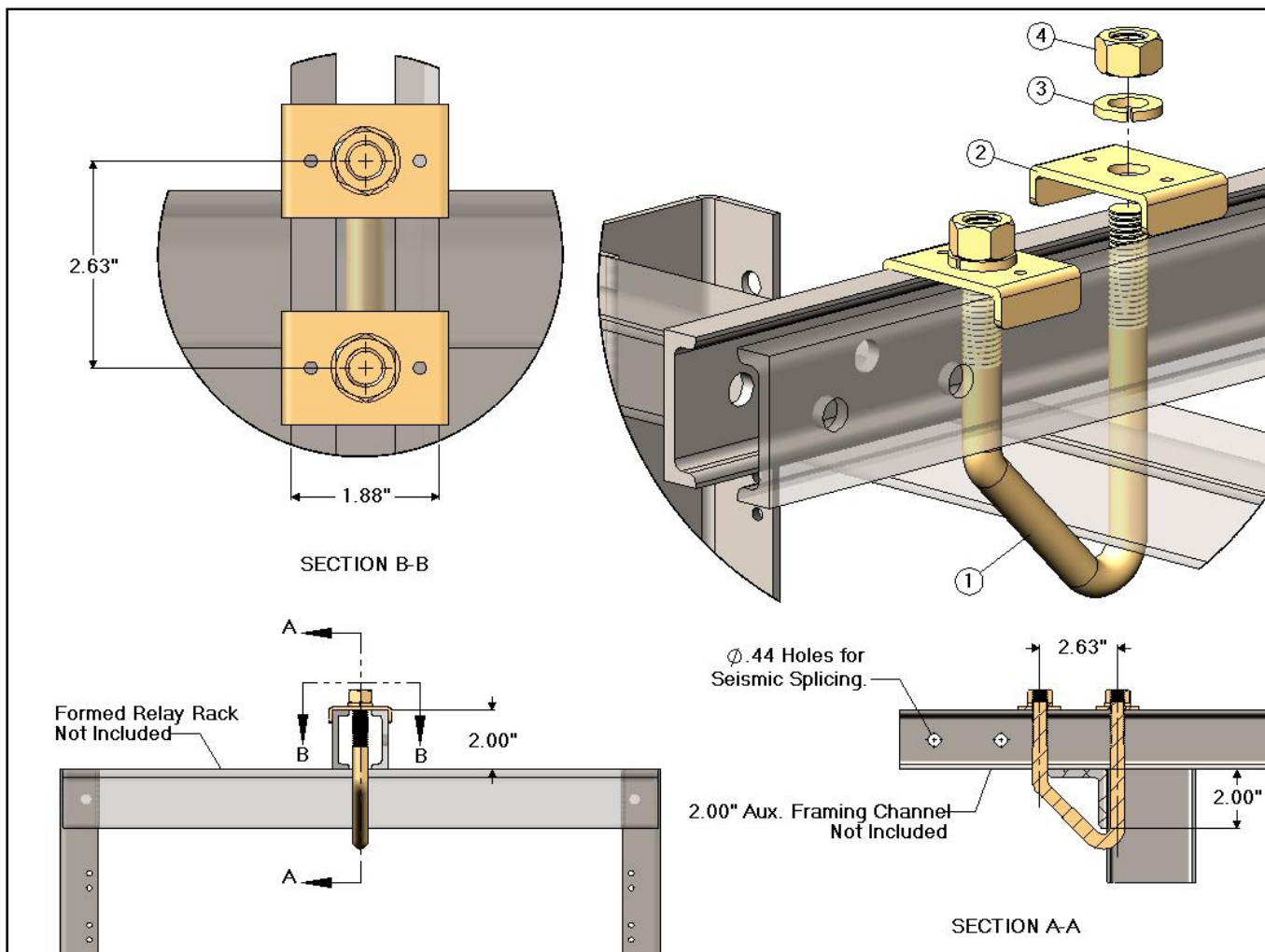




STA3702 - Aux. Framing Channel to Formed Relay Rack



STA3702 - Aux. Framing Channel to Formed Relay Rack

Item	CSF P/N#	QTY	Description
1	VB254	1	"V" Bolt
2	FC315	2	Framing Clip
3	LW157	2	1/2" Spring Lock Washer
4	HN147	2	1/2-13 Hex Nut

Notes:

- Formed Relay Rack - Not Included
- Aux Framing Channel - Not Included
- Hardware finish is zinc yellow.