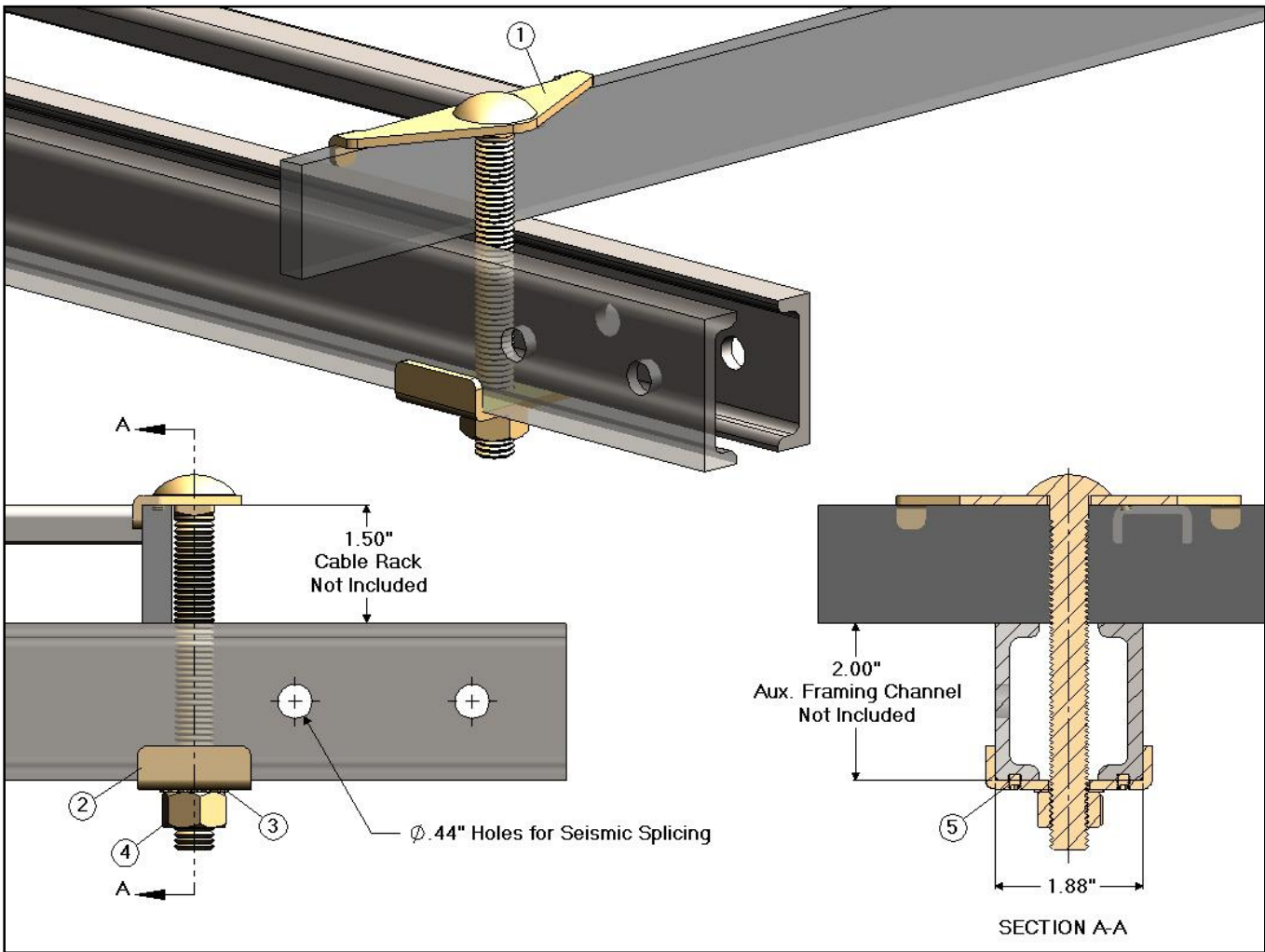




SJB6401CCN - Spanner "J" Bolt Kit - 1.50" Cable Rack To Aux. Framing Channel - Continuity



SJB6401CCN - Spanner "J" Bolt Kit - 1.50" Cable Rack To Aux. Framing Channel - Continuity

Item	CSF P/N#	QTY	Description
1	SJB4CN	1	Spanner "J" Bolt - Continuity
2	FC315CN	1	Framing Clip - Continuity
3	LWE157	1	1/2" External Tooth Lock Washer
4	HN147	1	1/2-13 Hex Nut
5	SS0303	3	#10-32 x 3/16" Socket Screw

Notes:

- 1.50" Cable Rack - Not Included
- 2.00" Aux. Framing Channel - Not Included
- Finish: zinc yellow

Specifications subject to change. Please contact CSF Customer Service for more information.