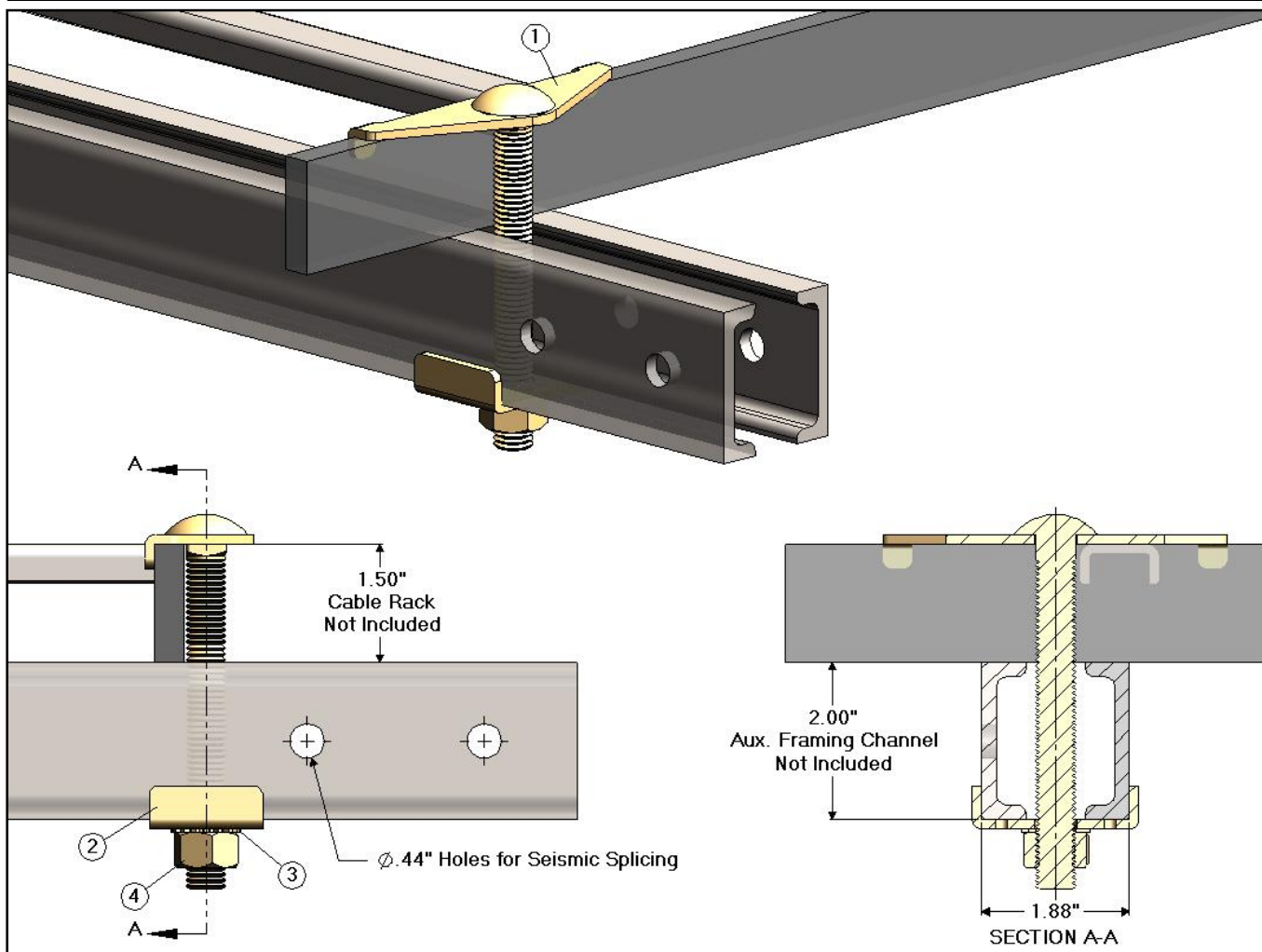




SJB6401C - Spanner "J" Bolt Kit - 1.50" Cable Rack To Aux. Framing Channel



SJB6401C - Spanner "J" Bolt Kit - 1.50" Cable Rack To Aux. Framing Channel

Item	CSF P/N#	QTY	Description
1	SJB4	1	Spanner "J" Bolt
2	FC315	1	Framing Clip
3	LWE157	1	1/2" External Tooth Lock Washer
4	HN147	1	1/2-13 Hex Nut

Notes:

- 1.50" Cable Rack - Not Included
- 2.00" Aux. Framing Channel - Not Included
- Finish: zinc yellow

Specifications subject to change. Please contact CSF Customer Service for more information.