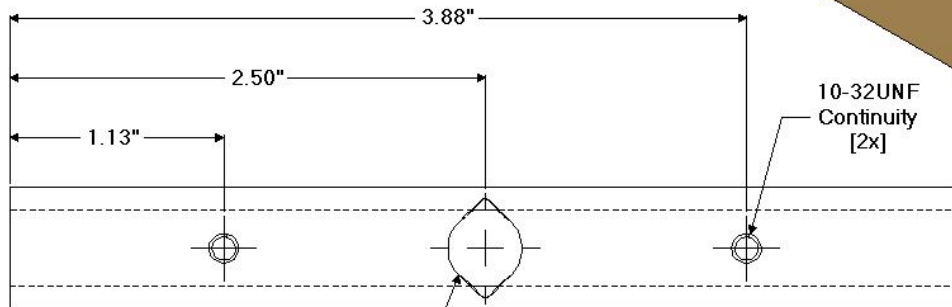
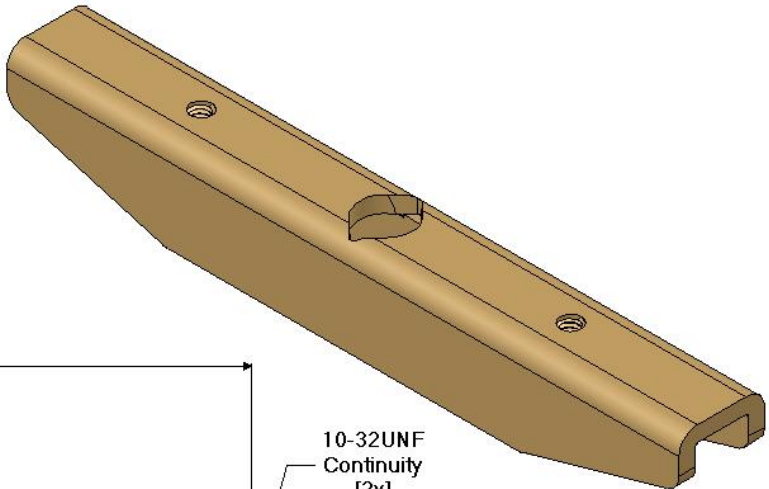
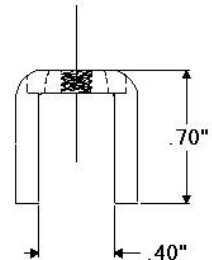
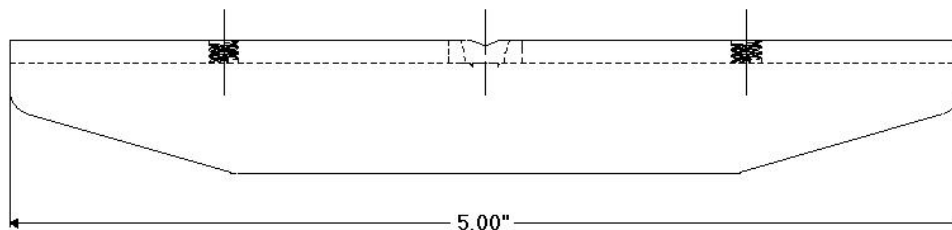




SCCN - Straight Clamp Bracket Continuity



Opening for: 3/8-16 Carriage Bolt



Notes:

- Finish: zinc yellow

Specifications subject to change. Please contact CSF Customer Service for more information.