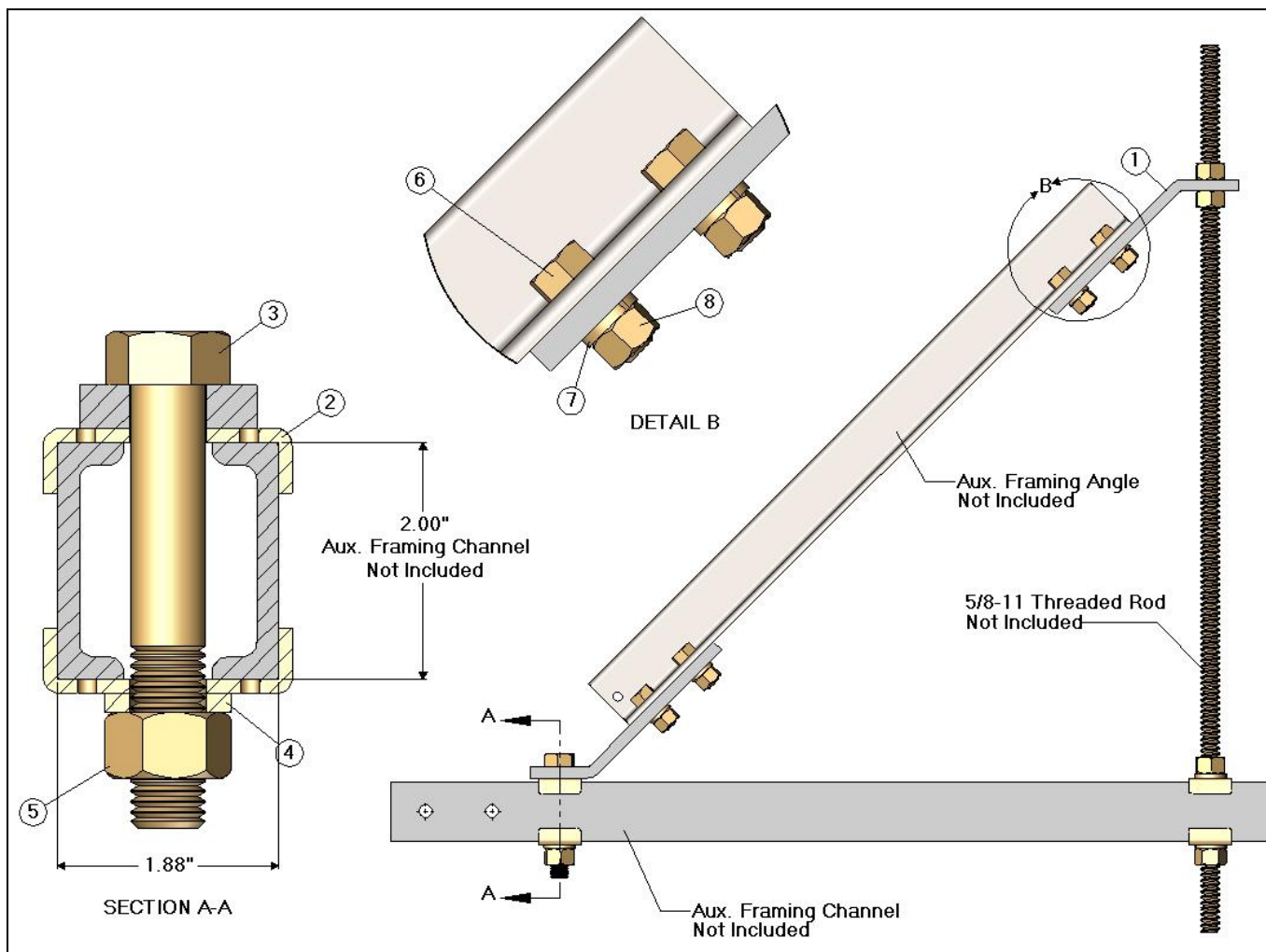




SBA3902 - Aux. Framing Channel Support and Brace Kit



SBA3902 - Aux. Framing Channel Support and Brace Kit			
Item	QTY	CSF P/N#	Description
1	2	A1690	Support Bracket
2	4	FC316	Framing Clip
3	1	HH1212	5/8-11 HHCS x 3.75" Length
4	3	LW158	5/8" Spring Lock Washer
5	5	HN148	5/8-11 Hex Nut
6	4	HH1104	1/2-13 HHCS x 1.25" Length
7	4	LW157	1/2" Spring Lock Washer
8	4	HN147	1/2-13 Hex Nut

- Notes:
- Aux. Framing Channel - Not Included
 - Aux. Framing Angle - Not Included
 - 5/8-11 Threaded Rod - Not Included
 - Hardware Finish: zinc yellow