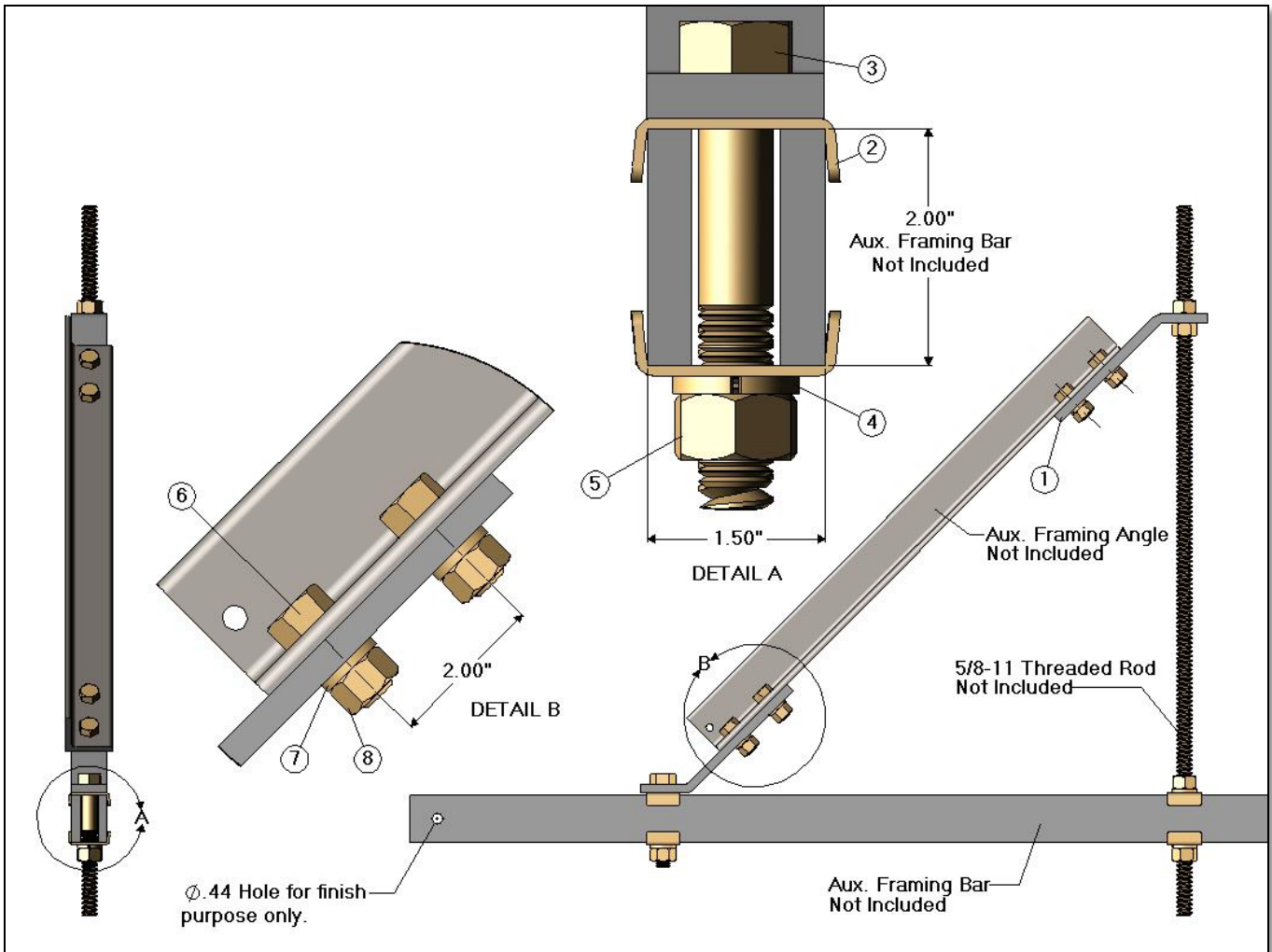




SBA3901 - Aux. Framing Bar Support and Brace Kit



| SBA3901 - Aux. Framing Bar Support and Brace Kit | | | |
|--|----------|-----|----------------------------|
| Item | CSF P/N# | QTY | Description |
| 1 | A1690 | 2 | Support Bracket |
| 2 | FC313 | 4 | Framing Clip |
| 3 | HH1211 | 1 | 5/8-11 HHCS x 3.50" Length |
| 4 | LW158 | 3 | 5/8" Spring Lock Washer |
| 5 | HN148 | 5 | 5/8-11 Hex Nut |
| 6 | HH1104 | 4 | 1/2-13 HHCS x 1.25" Length |
| 7 | LW157 | 4 | 1/2" Spring Lock Washer |
| 8 | HN147 | 4 | 1/2-13 Hex Nut |

Notes:

- Aux. Framing Channel - Not Included
- Aux. Framing Angle - Not Included
- 5/8-11 Threaded Rod - Not Included
- Hardware finish is zinc yellow.