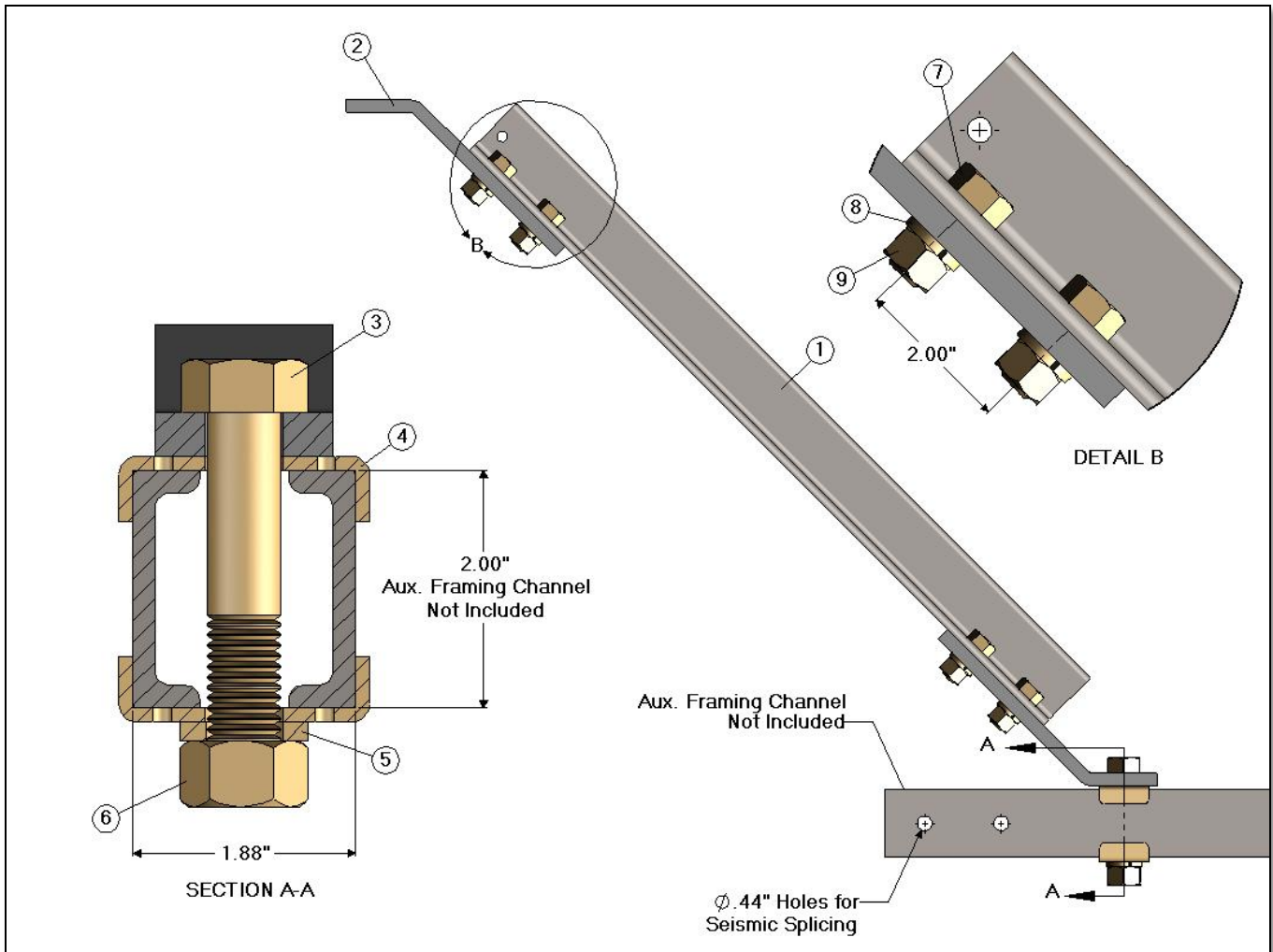




SBA3802K Aux. Framing Channel Brace Kit w/ Aux. Framing Angle

SBA3802K - Aux. Framing Channel Brace Kit w/ Aux. Framing Angle



SBA3802K - Aux. Framing Channel Brace Kit with Framing Angle			
Item	QTY	CSF P/N#	Description
1	1	AFA3403	2.00" x 2.00" Aux. Framing Angle x 72.00" Length
2	2	A1690	Support Bracket
3	1	HH1211	5/8-11 HHCS x 3.50" Length
4	2	FC316	Framing Clip
5	1	LW158	5/8" Spring Lock Washer
6	1	HN148	5/8-11 Hex Nut
7	4	HH1104	1/2-13 HHCS x 1.25" Length
8	4	LW157	1/2" Spring Lock Washer
9	4	HN147	1/2-13 Hex Nut

Notes:
 - Aux. Framing Channel - Not Included
 - Hardware finish is zinc yellow.

Specifications subject to change. Please contact CSF Customer Service for more information.