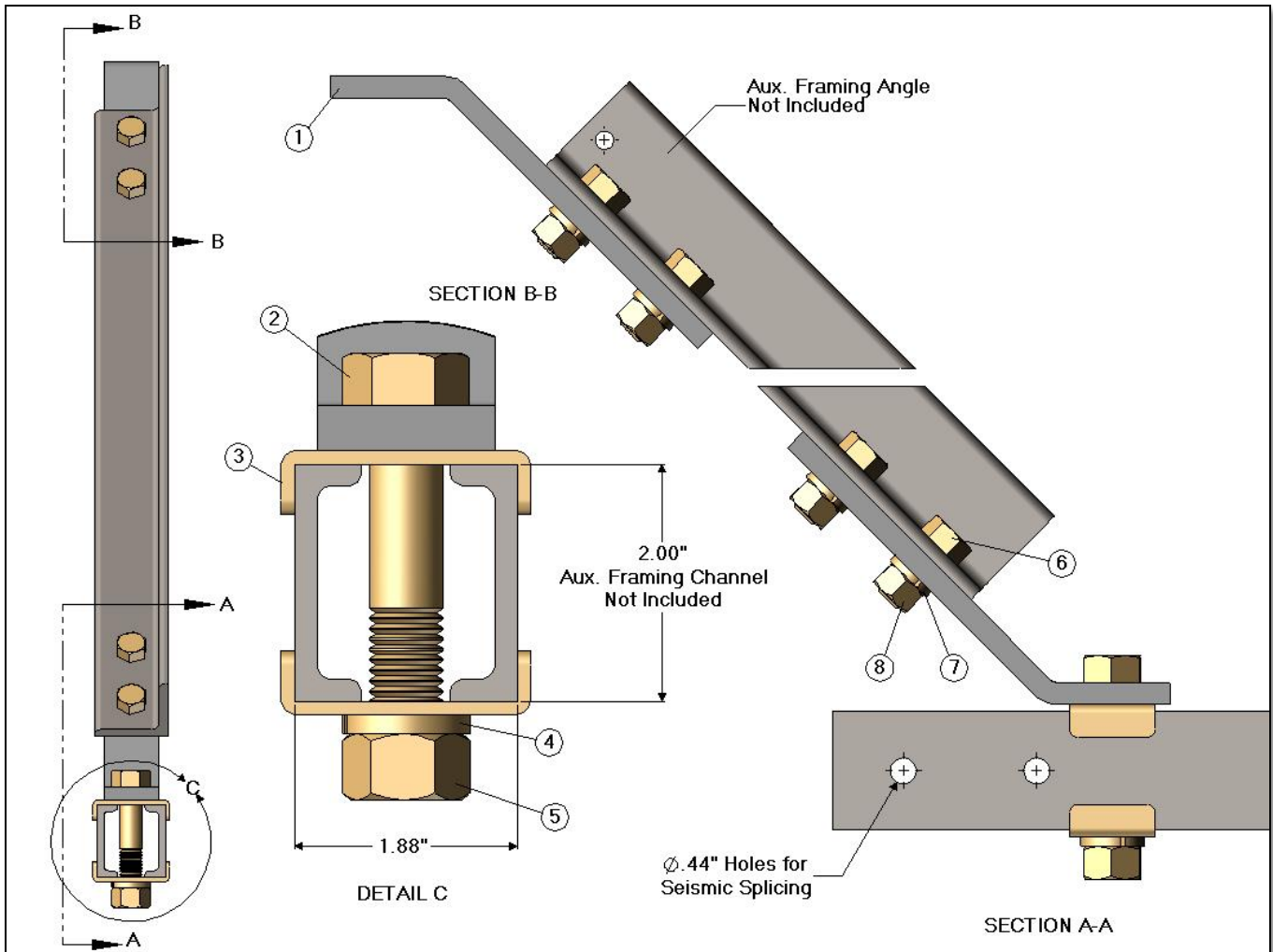


SBA3802 - Aux. Framing Channel Brace Kit



SBA3802 - Aux. Framing Channel Brace Kit			
Item	CSF P/N#	QTY	Description
1	A1690	2	Support Bracket
2	HH1211	1	5/8-11 HHCS x 3.50" Length
3	FC316	2	Framing Clip
4	LW158	1	5/8" Spring Lock Washer
5	HN148	1	5/8-11 Hex Nut
6	HH1104	4	1/2-13 HHCS x 1.25" Length
7	LW157	4	1/2" Spring Lock Washer
8	HN147	4	1/2-13 Hex Nut

Notes:

- Aux. Framing Channel - Not Included
- Aux. Framing Angle - Not Included
- Hardware finish is zinc yellow.

Specifications subject to change. Please contact CSF Customer Service for more information.