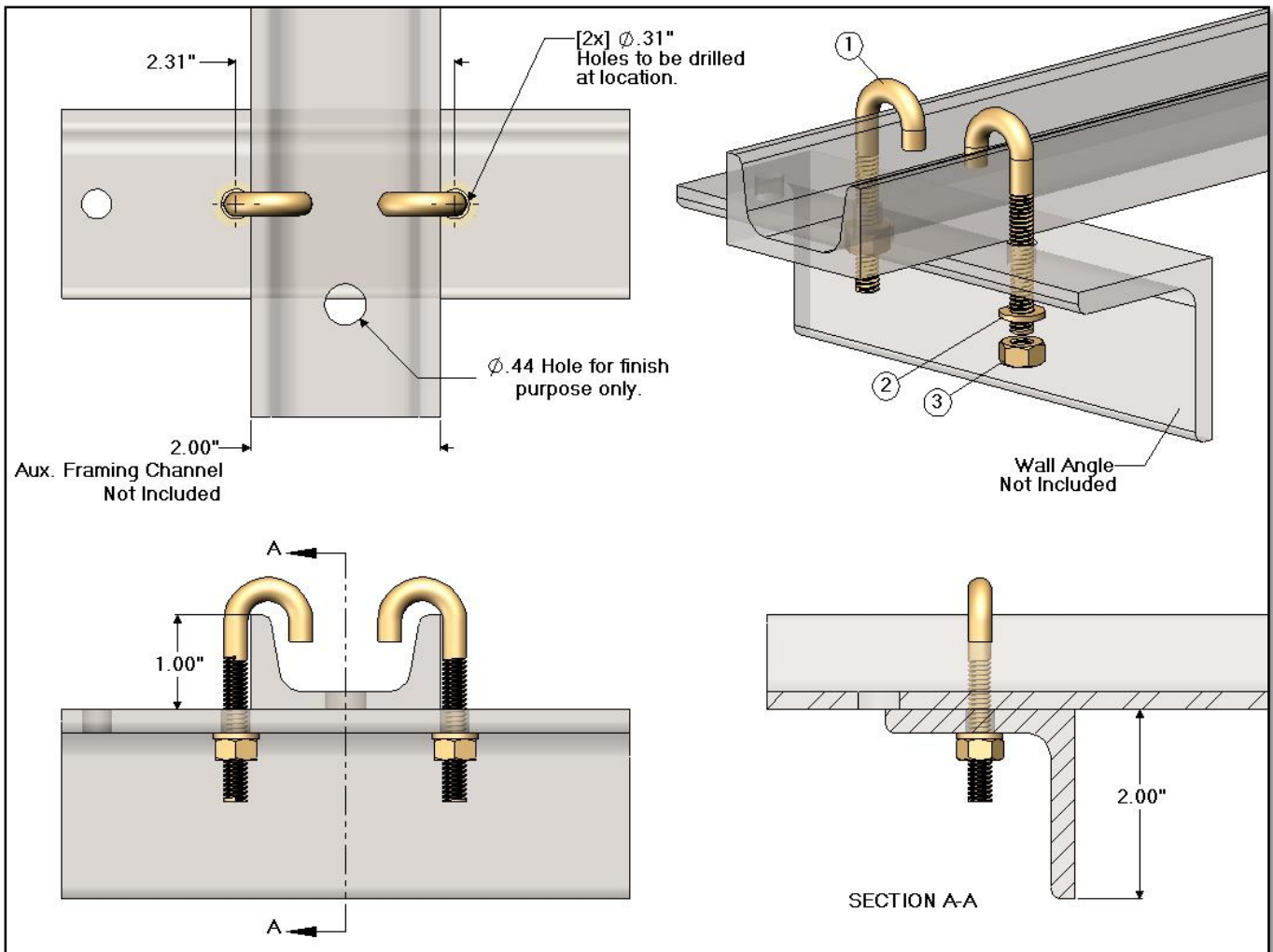


SAC1001 - Aux. Framing Channel supported onto Wall Angle



SAC1001 - Aux. Framing Channel supported onto Wall Angle

Item	CSF P/N#	QTY	Description
1	JB241	2	1/4-20 "J" Bolt
2	LW154	2	1/4" Spring Lock Washer
3	HN144	2	1/4-20 Hex Nut

Notes:

- Hardware finish is zinc yellow.
- Wall Angle - Not Included
- Aux. Framing Channel - Not Included