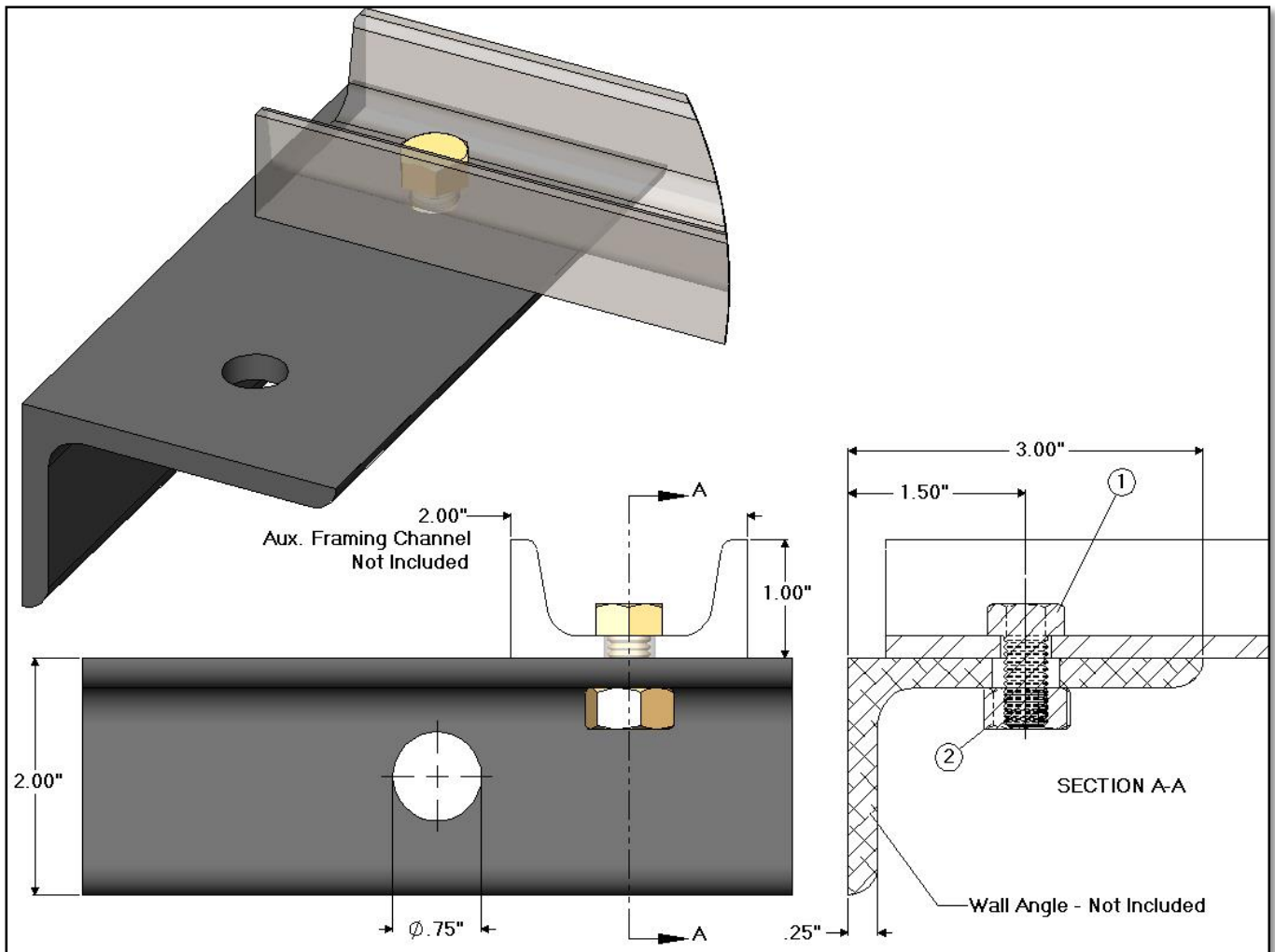


## SAC0901 - Wall Angle Support to Aux. Framing Channel



### SAC0901 - Wall Angle Support to Aux. Framing Channel

Item	CSF P/N#	QTY	Description
1	HH1003	1	3/8-16 HHCS x 3/4" Length
2	HN146	1	3/8-16 Hex Nut

**Notes:**

- Hardware finish is zinc yellow.
- Wall Angle - Not Included
- Aux. Framing Channel - Not Included

Specifications subject to change. Please contact CSF Customer Service for more information.