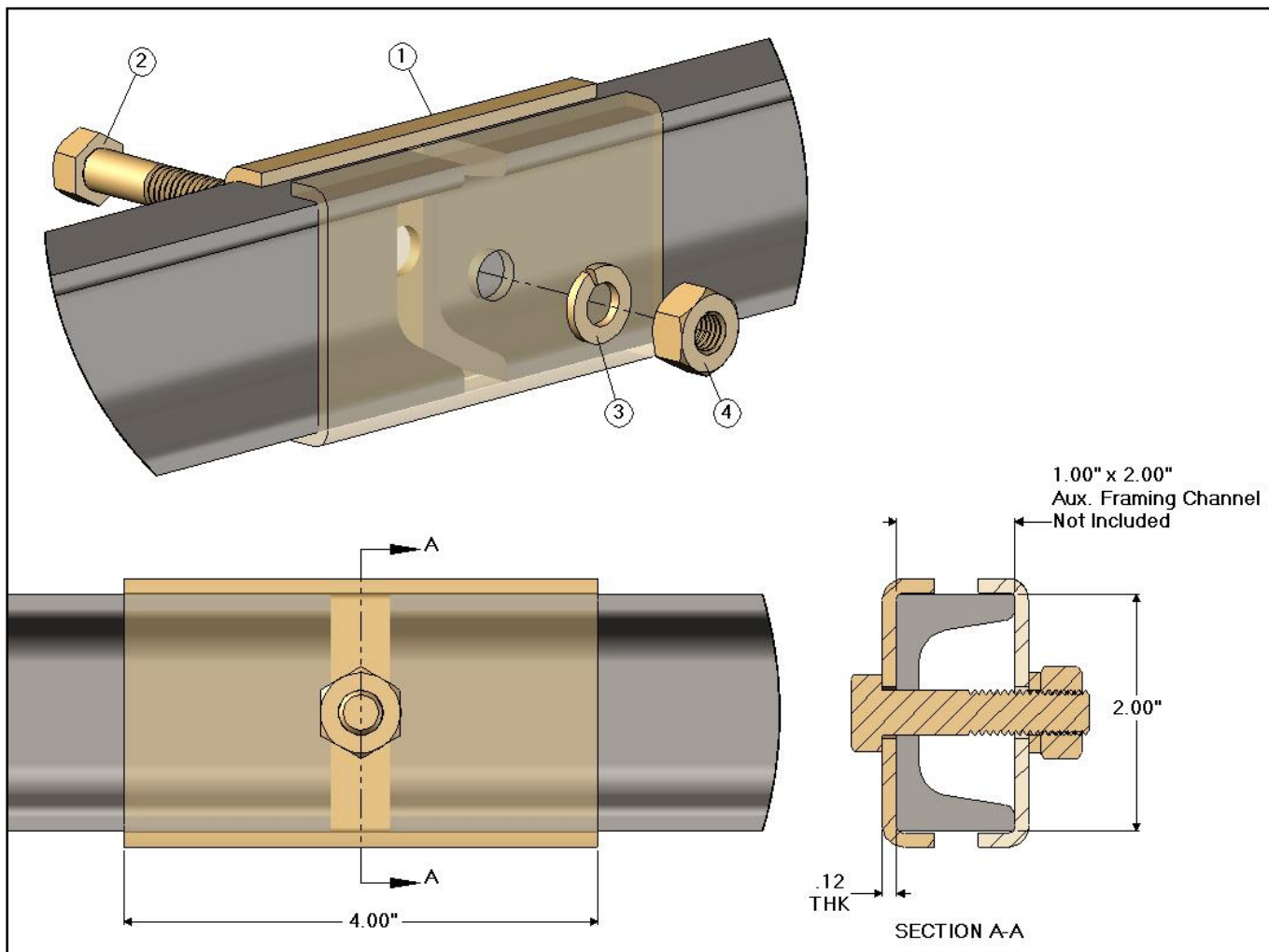




# SAC0501 Splice Clamp Kit for 2.00" x 1.00" Aux. Framing Channel

## SAC0501 - Splice Clamp Kit for 2.00" x 1.00" Aux. Framing Channel



## SAC0501 - Splice Clamp Kit for 2.00" x 1.00" Aux. Framing Channel

Item	CSF P/N#	QTY	Description
1	A1595	2	Aux. Framing Channel Splice Clamp
2	HH1008	1	3/8-16 HHCS x 1.75" Length
3	LW156	1	3/8" Spring Lock Washer
4	HN146	1	3/8-16 Hex Nut

**Notes:**

- 2.00" x 1.00" Aux. Framing Channel - Not Included
- Hardware finish is zinc yellow.