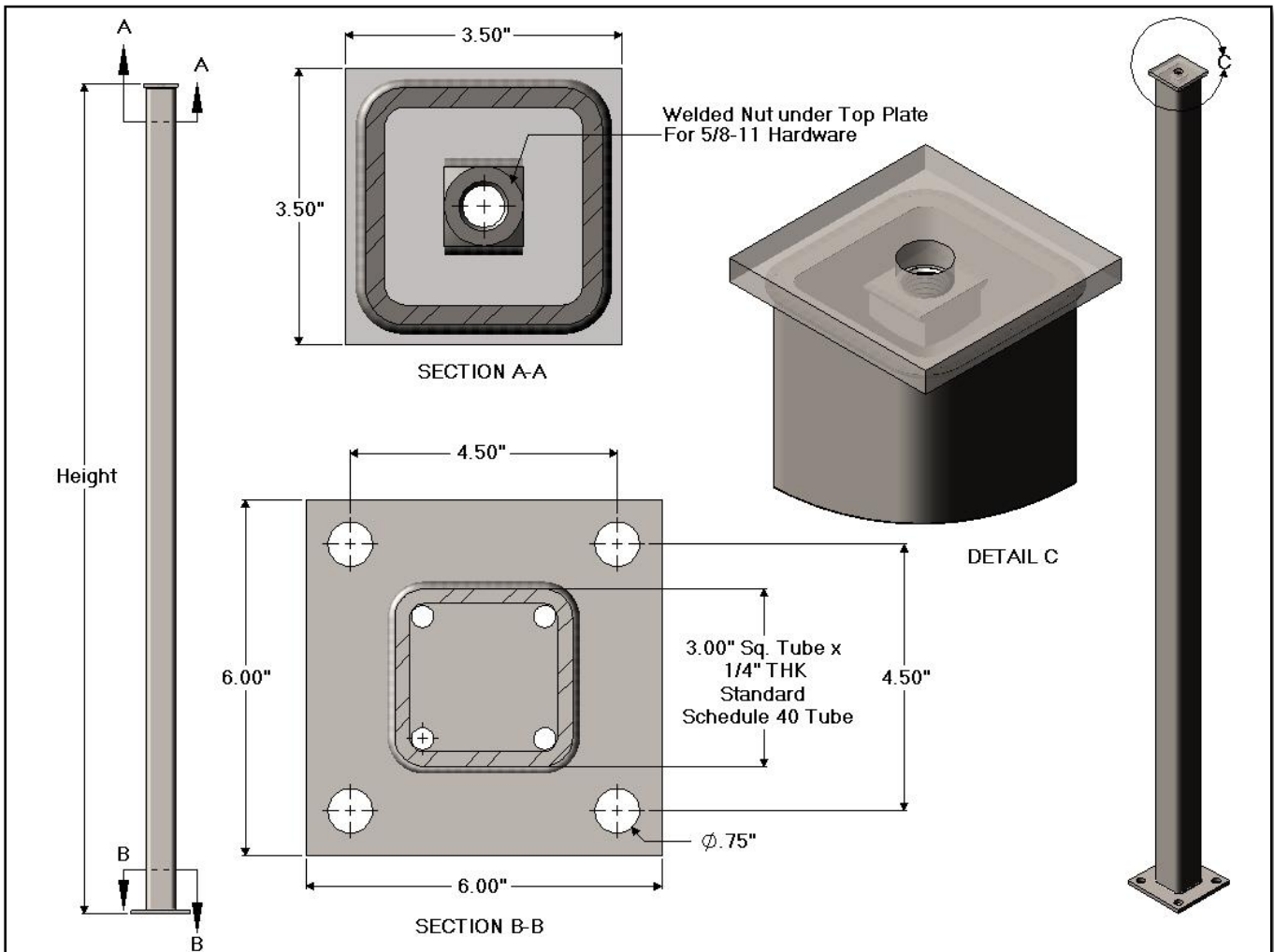


## PSE33 Series - Seismic Earthquake Pipe Stand



PSE33 Series Seismic Earthquake Pipe Stand	
CSF P/N#	Height
PSE33094xx	94.00"
PSE33105xx	105.00"

**Notes:**

- Order floor mounting hardware separately.
- Tube wall thickness: 1/4" Thick - Standard Schedule 40
- Finish defaults to Dark Gray - DG
- Other sizes and finishes available upon request

Specifications subject to change. Please contact CSF Customer Service for more information.