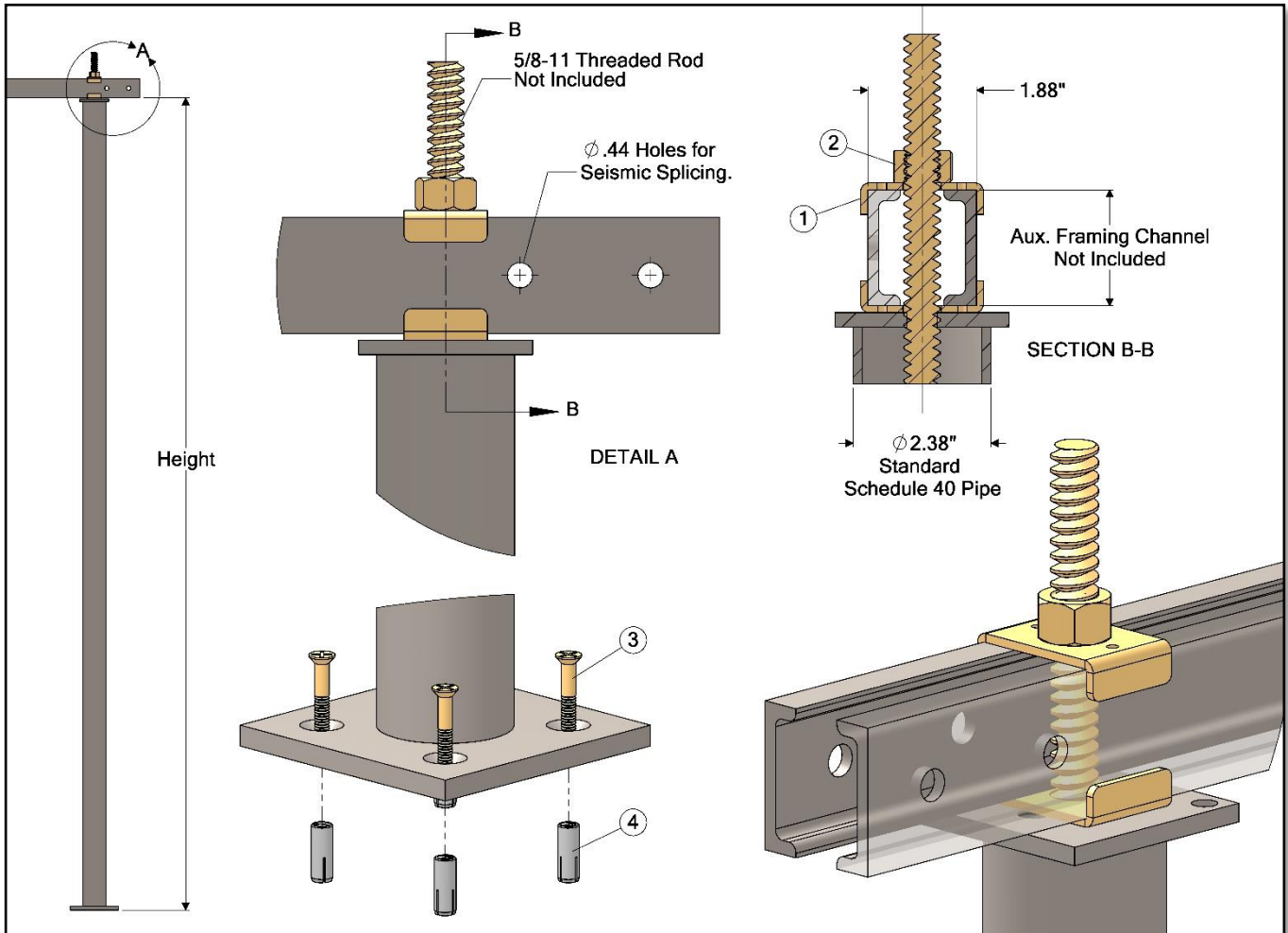




PS42xx Series - Pipe Stand - 1 Level - Aux. Framing Channel



PS42xx Series - Pipe Stand 1 Level - Aux. Framing Channel	
CSF P/N#	Height
PS4207	7'-0"
PS4208	7'-6"
PS4209	8'-0"
PS4210	9'-0"

Installation Hardware Kit - B.O.M			
PS42xx Series - Pipe Stand 1 Level Aux. Framing Channel			
Item	CSF P/N#	Description	QTY
1	FC316	Framing Clip	2
2	HN148	5/8-11 Hex Nut	3
3	FH0710	1/4-20 FH x 1.75" Length	4
4	DIA25	1/4-20 x 1.00" Length Drop In Anchor	4

Notes:

- Aux. Framing Channel - Not Included
- 5/8-11 Threaded Rod - Not Included
- Kit includes all mounting hardware for framing clips.
- PS Series defaults to: Telco Gray DG finish.

Specifications subject to change. Please contact CSF Customer Service for more information.