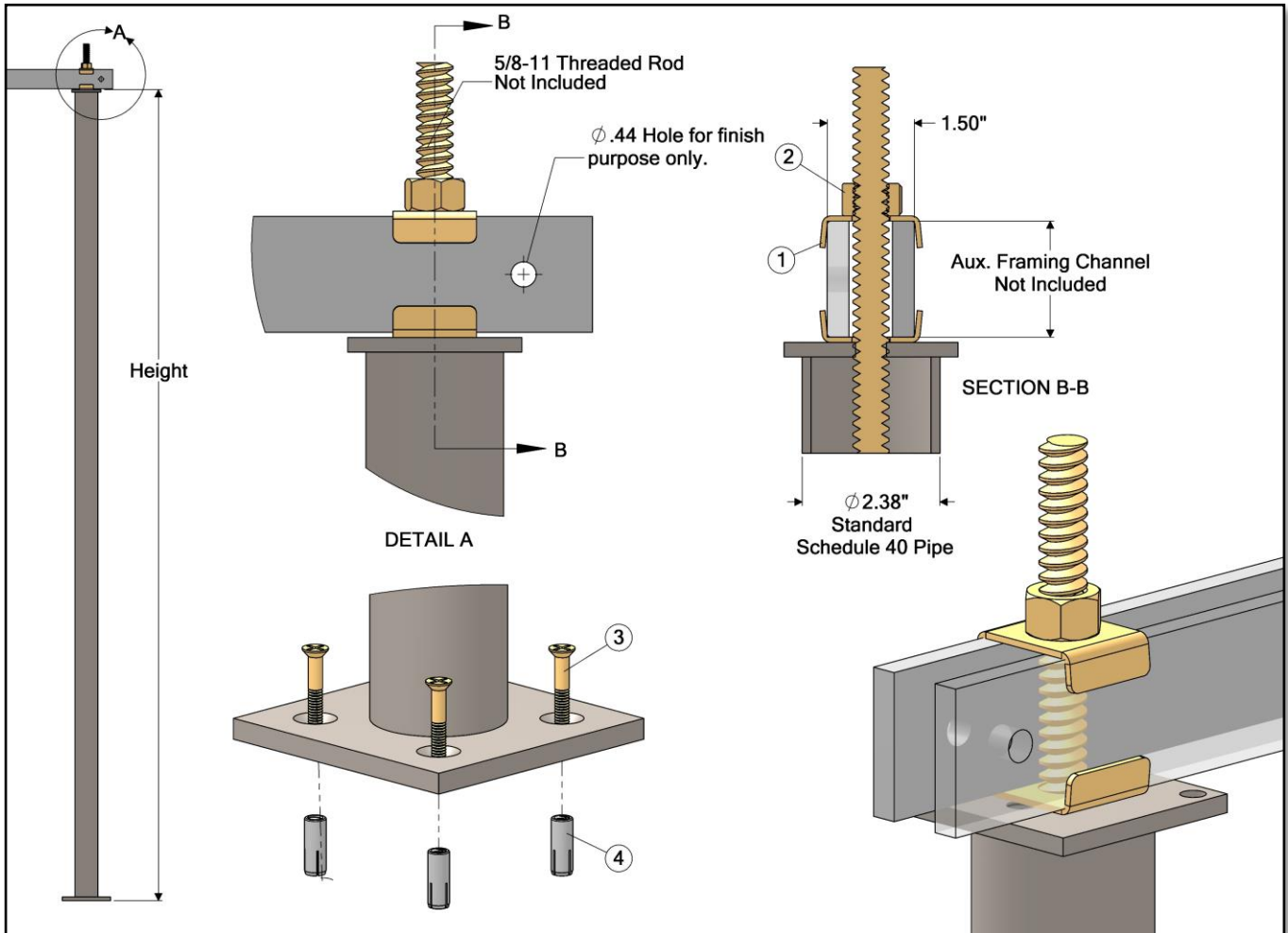




## PS420x Series - Pipe Stand - 1 Level - Aux. Framing Bar



PS420x Series - Pipe Stand 1 Level - Aux. Framing Bar	
CSF P/N#	Height
PS4201	7'-0"
PS4202	7'-6"
PS4203	8'-0"
PS4204	9'-0"

**Notes:**

- Aux. Framing Bar - Not Included
- 5/8-11 Threaded Rod - Not Included
- Kit includes all mounting hardware for framing clips.
- PS Series defaults to: Telco Gray DG finish.
- Hardware finish is zinc yellow.

Installation Hardware Kit - B.O.M			
PS420x Series - Pipe Stand 1 Level - Aux. Framing Bar			
Item	CSF P/N#	Description	QTY
1	FC313	Framing Clip	2
2	HN148	5/8-11 Hex Nut	3
3	FH0710	1/4-20 FH x 1.75" Length	4
4	DIA25	1/4-20 x 1.00" Length Drop In Anchor	4

Specifications subject to change. Please contact CSF Customer Service for more information.