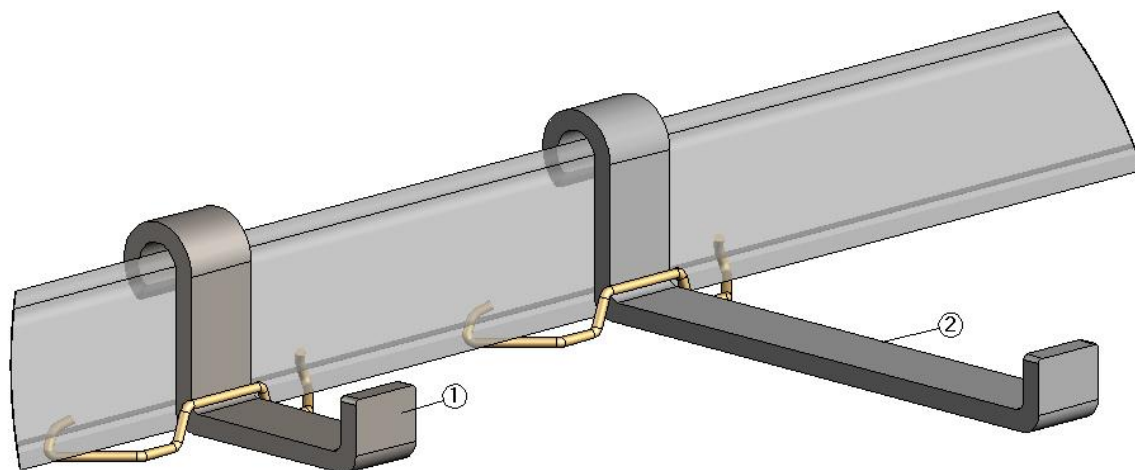
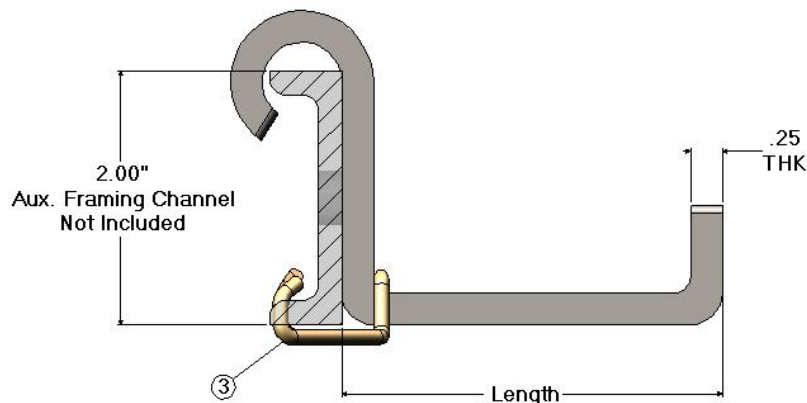




PCBx - Power Cable Bracket for Aux. Framing Channel



PCB1 - Power Cable Bracket for Aux. Framing Channel

Item	CSF P/N#	Description
1	PCB1	Power Cable Bracket x 3.00" Length
3	SPR06	Spring Clip

PCB2 - Power Cable Bracket for Aux. Framing Channel

Item	CSF P/N#	Description
2	PCB2	Power Cable Bracket x 7.43" Length
3	SPR06	Spring Clip

- Notes:
- Aux. Framing Channel - Not Included.
- Finish: Only in Dark Gray [DG].
- SPR06 included in PCBX Kit.
- SPR06 finish is zinc yellow.

Specifications subject to change. Please contact CSF Customer Service for more information.