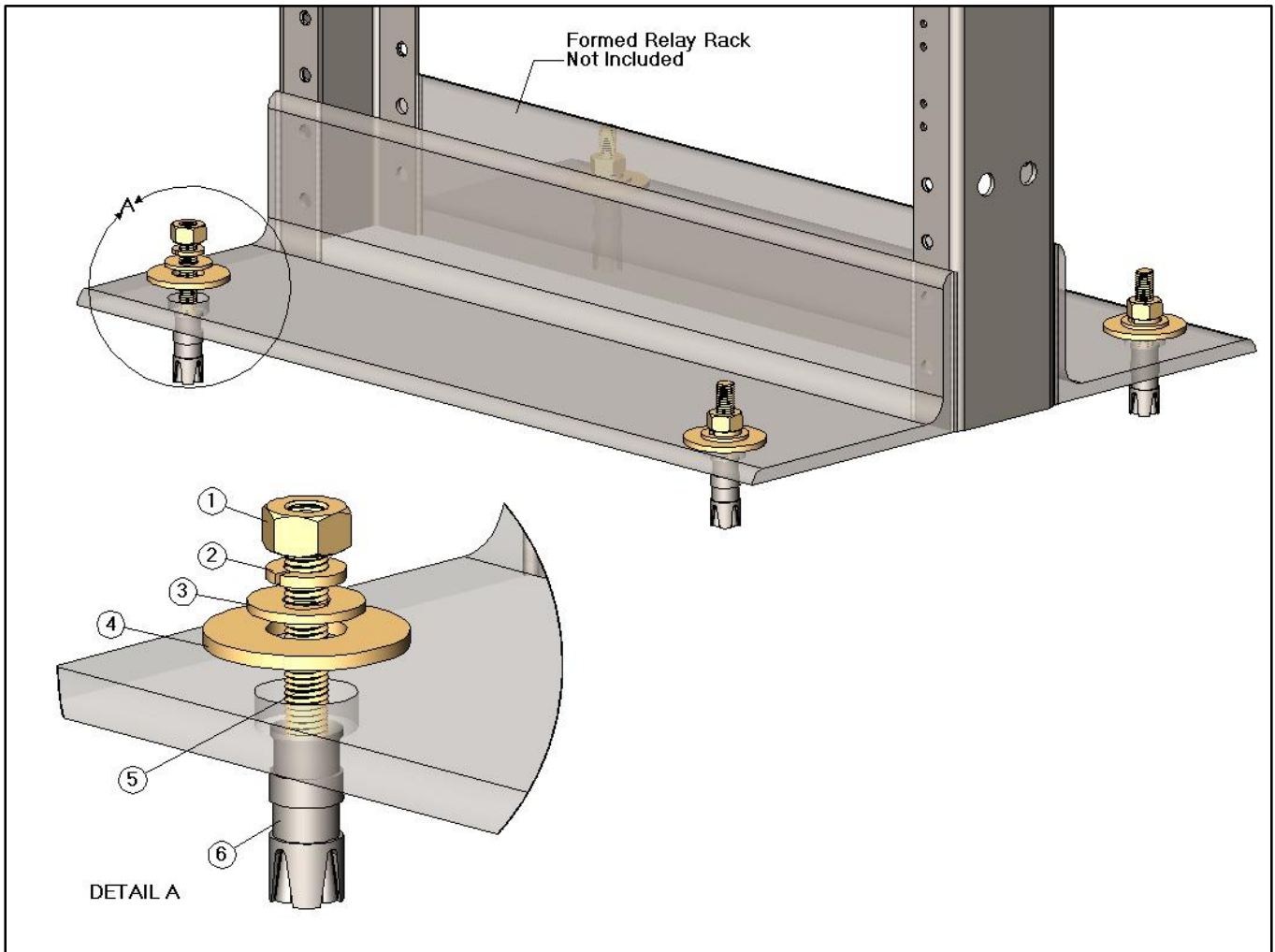


MH19FS - Anchor Kit



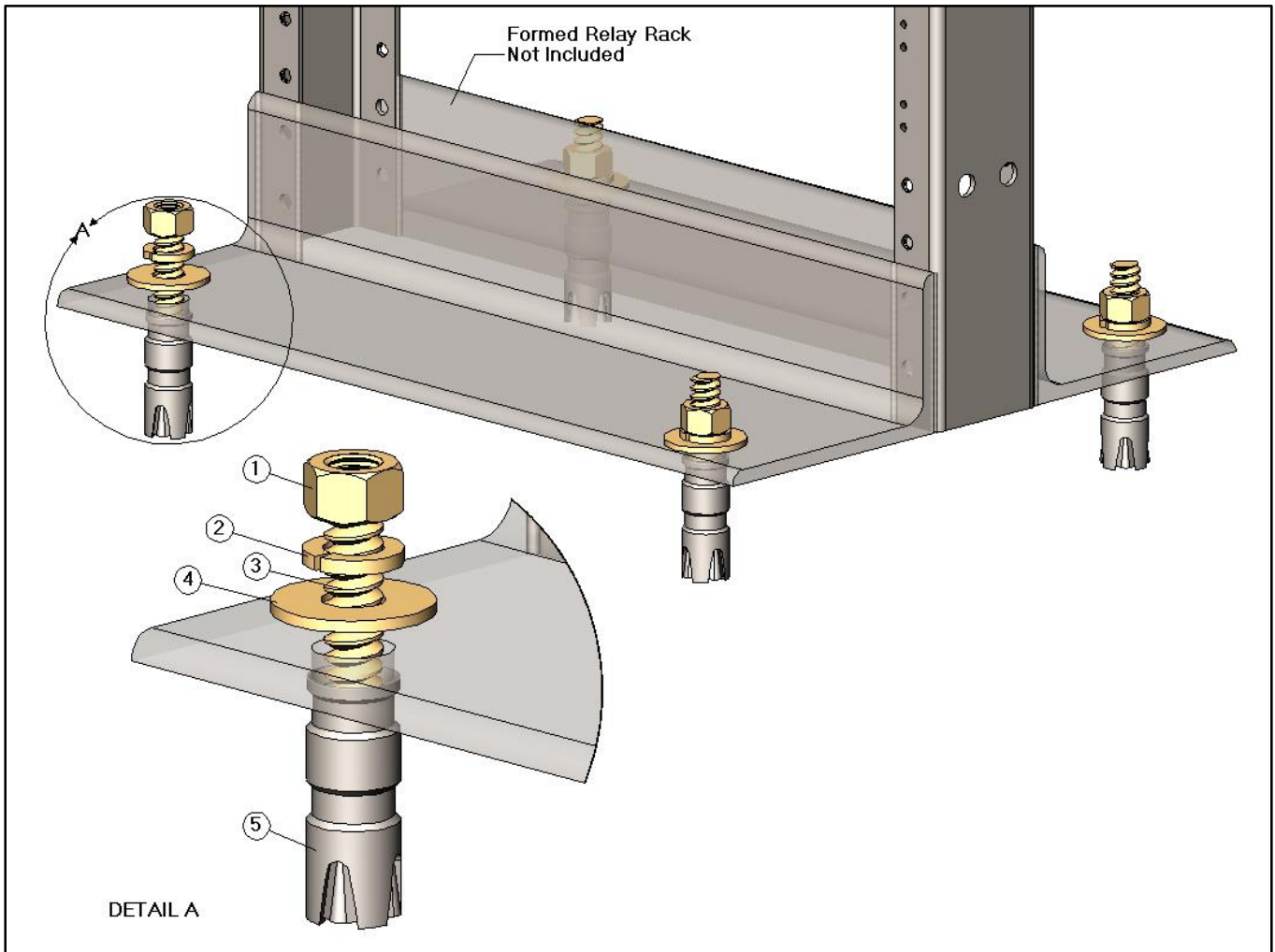
MH19FS - Anchor kit			
Item	CSF P/N#	Description	QTY
1	HN146	3/8-16 Hex Nut	4
2	LW156	3/8" Spring Lock Washer	4
3	FW166	3/8" Flat Washer	4
4	FW168	5/8" Flat Washer	4
5	TR03	3/8-16 Threaded Rod x 3.00" Length	4
6	ES1805	3/8" Expansion Shield	4

Notes:

- Hardware finish is zinc yellow.

Specifications subject to change. Please contact CSF Customer Service for more information.

MH20FS - Anchor Kit



MH20FS - Anchor kit

Item	CSF P/N#	Description	QTY
1	HN148	5/8-11 Hex Nut	4
2	LW158	5/8" Spring Lock Washer	4
3	TR49	5/8-11 Threaded Rod x 3.00" Length	4
4	FW168	5/8" Flat Washer	4
5	ES1811	5/8" Expansion Shield	4

Notes:

- Hardware finish is zinc yellow.

Specifications subject to change. Please contact CSF Customer Service for more information.