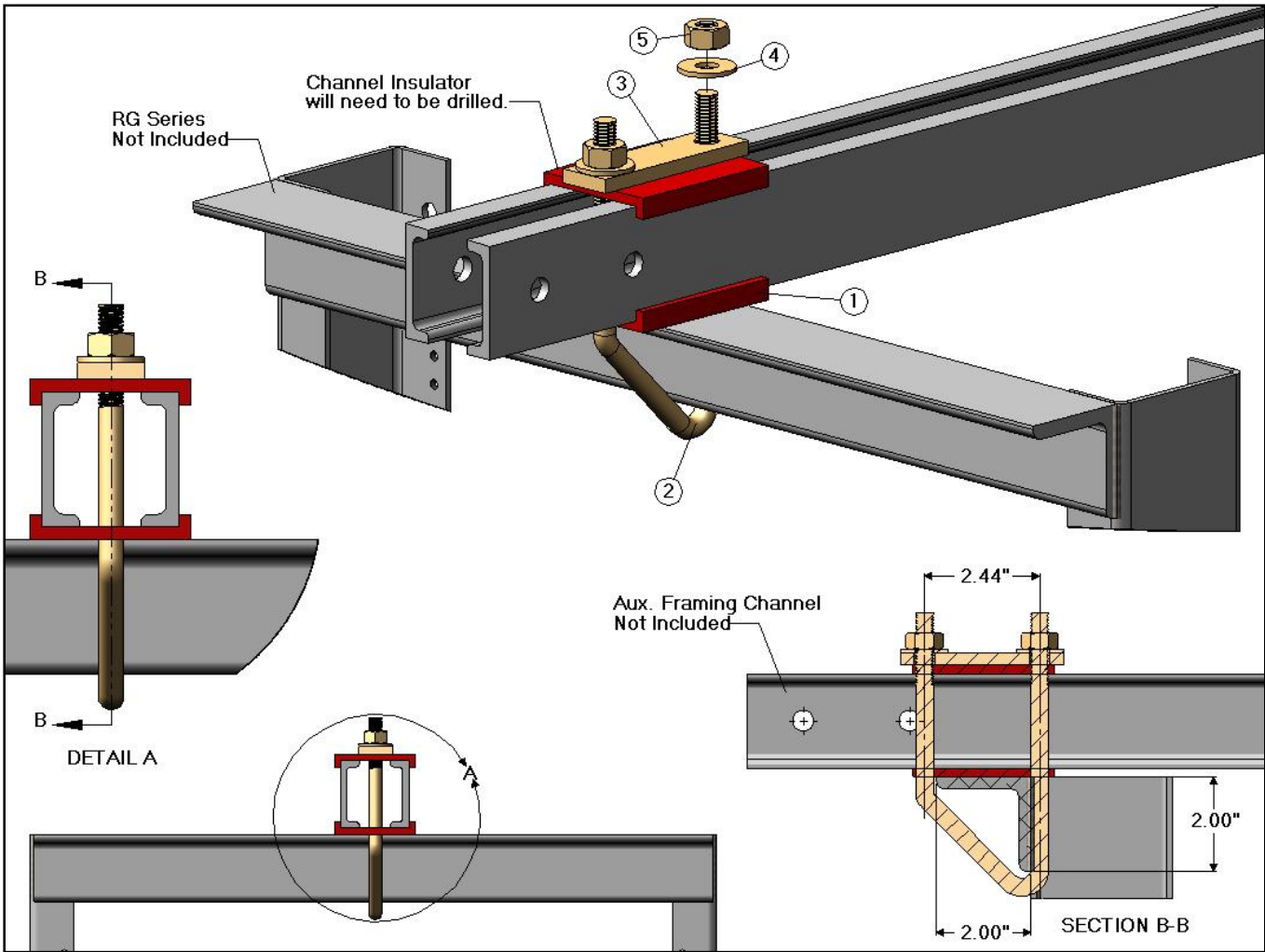


IVA0201 - Insulator V Bolt Assembly Kit



IVA0201 - Insulator V Bolt Assembly Kit

Item	CSF P/N#	Description	QTY
1	CI6501	Aux. Channel Insulation	2
2	VB253	3/8-16 - V Bolt	1
3	THP282	Hold Down Plate	1
4	FW166	3/8" Flat Washer	2
5	HN146	3/8-16 Hex Nut	2

Notes:

Aux. Framing Channel - Not Included
 RG Series - Not Included

Specifications subject to change. Please contact CSF Customer Service for more information.