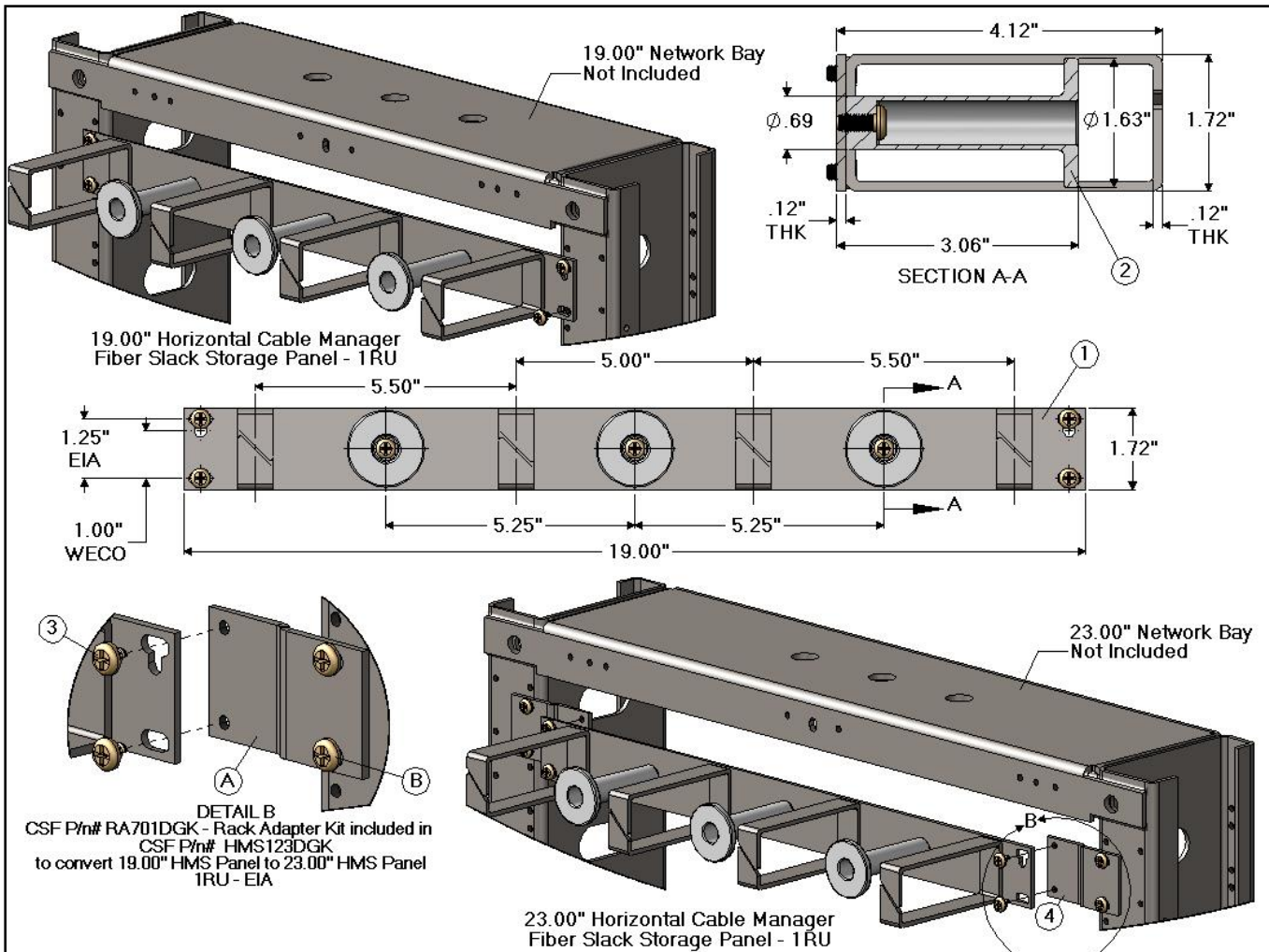


HMS Series – Horizontal Cable Manager Fiber Slack Storage Panel



| HMS119DGK - 19.00 Horizontal Cable Manager Fiber Slack Storage Panel Kit - 1RU | | | |
|--|-----------|--|-----|
| Item | CSF P/N# | Description | QTY |
| 1 | HMS119DG | 19.00 Horizontal Cable Manager Fiber Slack Storage Panel | 1 |
| 2 | DPP03K03 | Distribution Plastic Post | 3 |
| 3 | PH0400FST | 12-24 x 1/4" Length PH Phil M/S Cut | 4 |

| HMS123DGK - 23.00 Horizontal Cable Manager Fiber Slack Storage Panel Kit - 1RU | | | |
|--|-----------|--|-----|
| Item | CSF P/N# | Description | QTY |
| 1 | HMS119DG | 19.00 Horizontal Cable Manager Fiber Slack Storage Panel | 1 |
| 2 | DPP03K03 | Distribution Plastic Post | 3 |
| 3 | PH0400FST | 12-24 x 1/4" Length PH Phil M/S Cut | 4 |
| 4 | RA701DGK | Rack Adapter Kit 1RU | 1 |

Notes:

- The HMS Series is a 19.00" Horizontal Cable Manager Fiber Slack Storage Panel Kit that can be utilized for horizontal cable management or fiber slack storage. It can also accommodate installation in a 23.00" Rack by using CSF P/n# HMS123DGK that includes a Rack Adapter Kit.

- Network Bay - Not Included

| RA701DGK - Rack Adapter Kit Included in: CSF P/n# HMS123DGK | | | |
|---|-----------|-------------------------------------|-----|
| Item | CSF P/N# | Description | QTY |
| A | RA701DGK | Rack Adapter Kit 1RU | 1 |
| B | PH0400FST | 12-24 x 1/4" Length PH Phil M/S Cut | 4 |

Specifications subject to change. Please contact CSF Customer Service for more information.

386