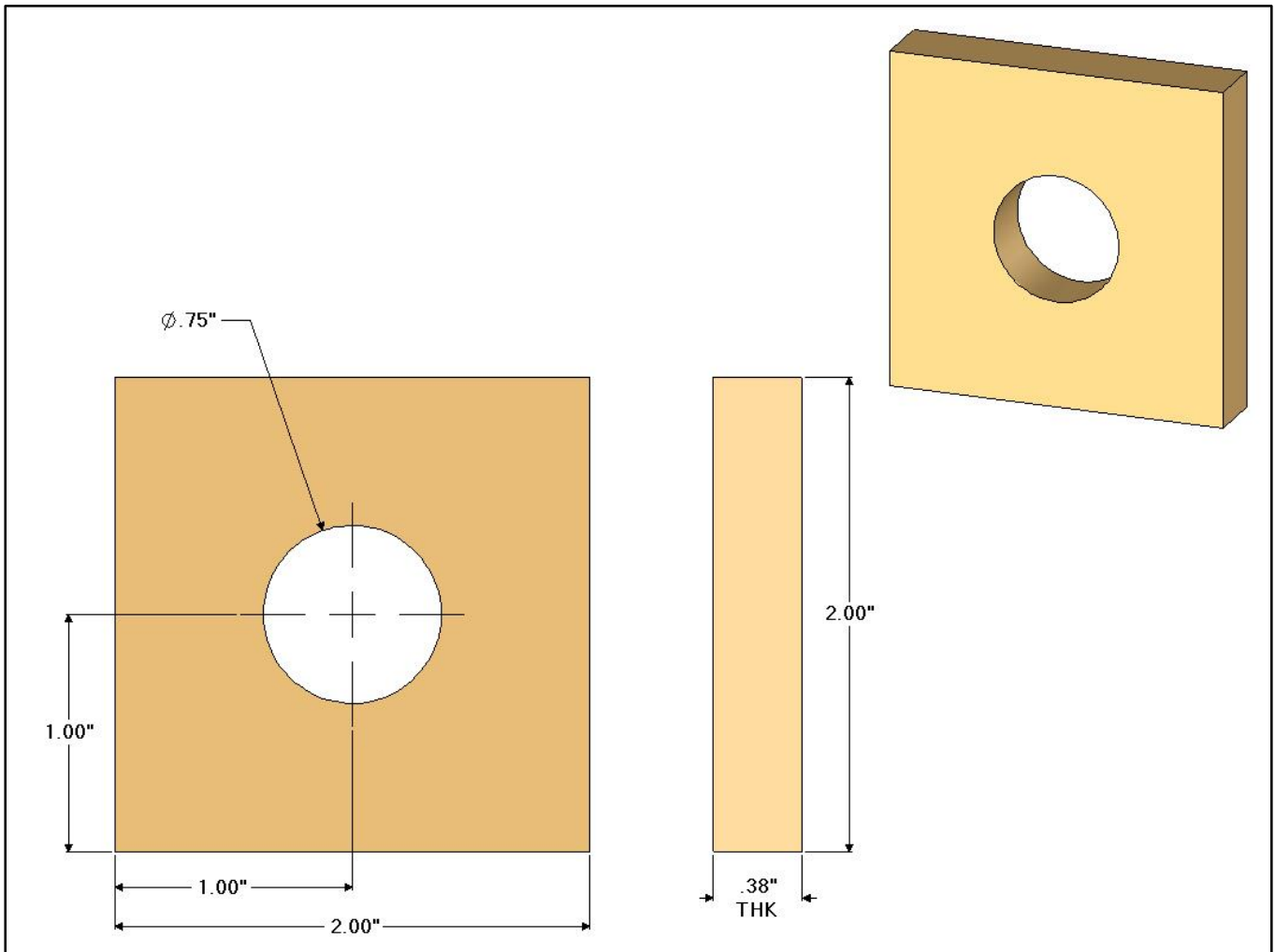


HDP2200 - Hold Down Plate



CSF P/N#	Description
HDP2200	Hold Down Plate

Notes:

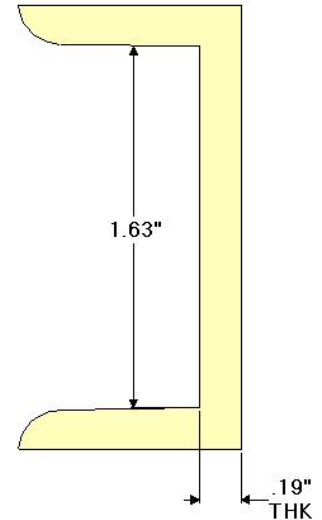
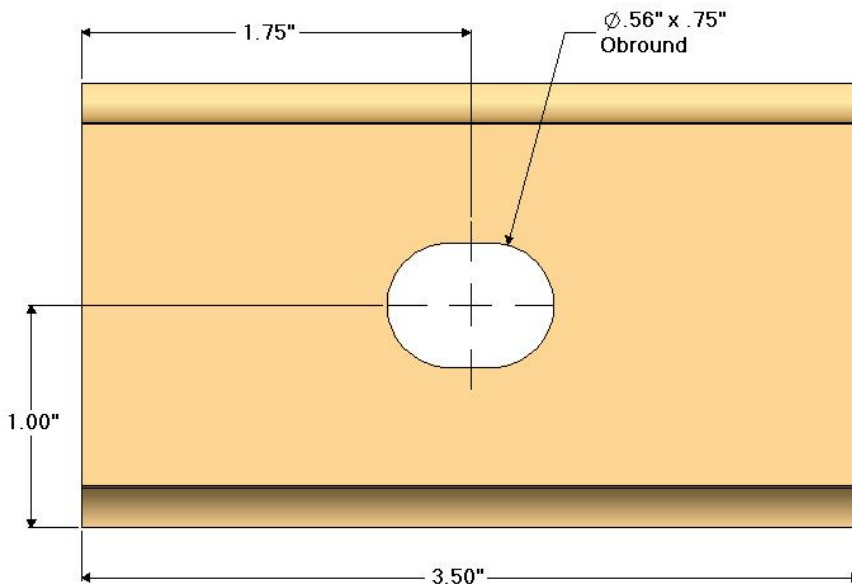
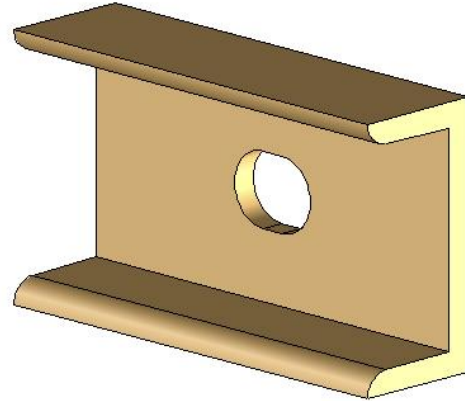
- Finish is zinc yellow.

Specifications subject to change. Please contact CSF Customer Service for more information.

471



HDC235 - Heavy Duty Hold Down Channel



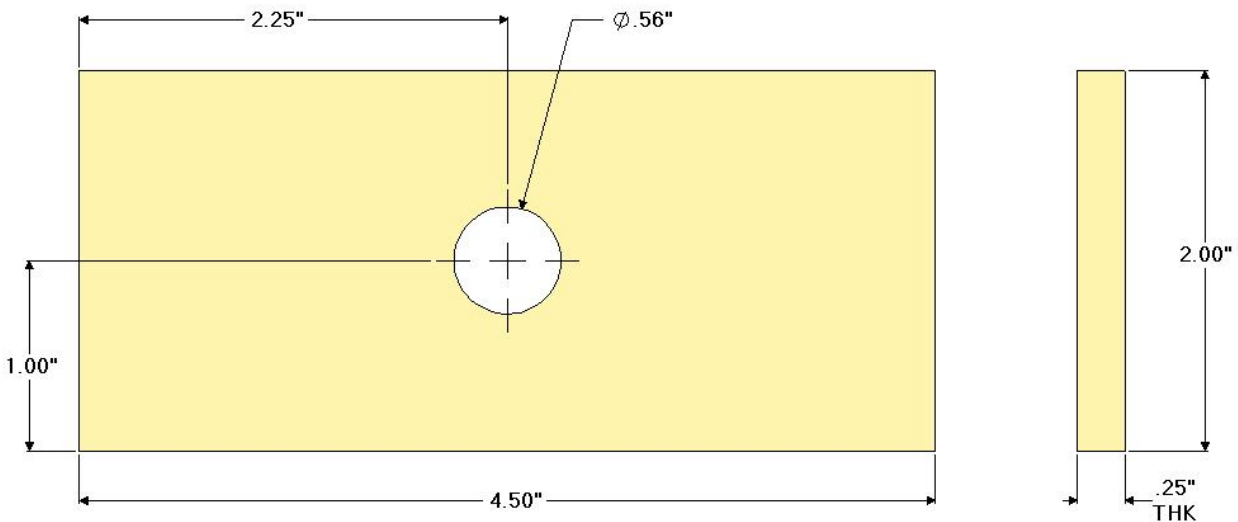
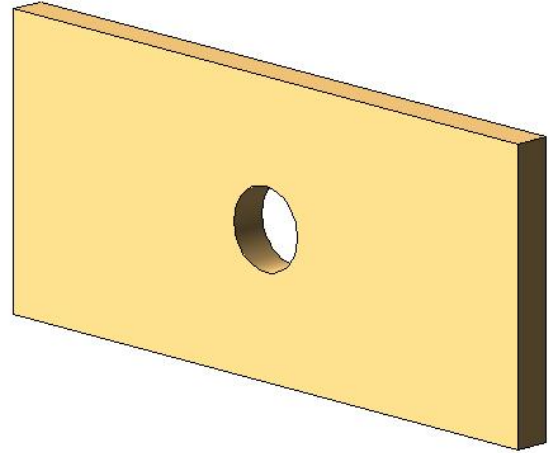
CSF P/N#	Description
HDC235	Heavy Duty Hold Down Channel

Notes:

- Finish is zinc yellow.

Specifications subject to change. Please contact CSF Customer Service for more information.

HDP2450 - Hold Down Plate



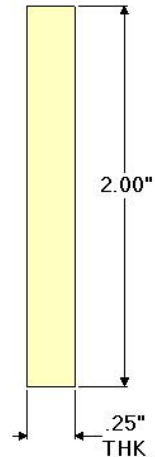
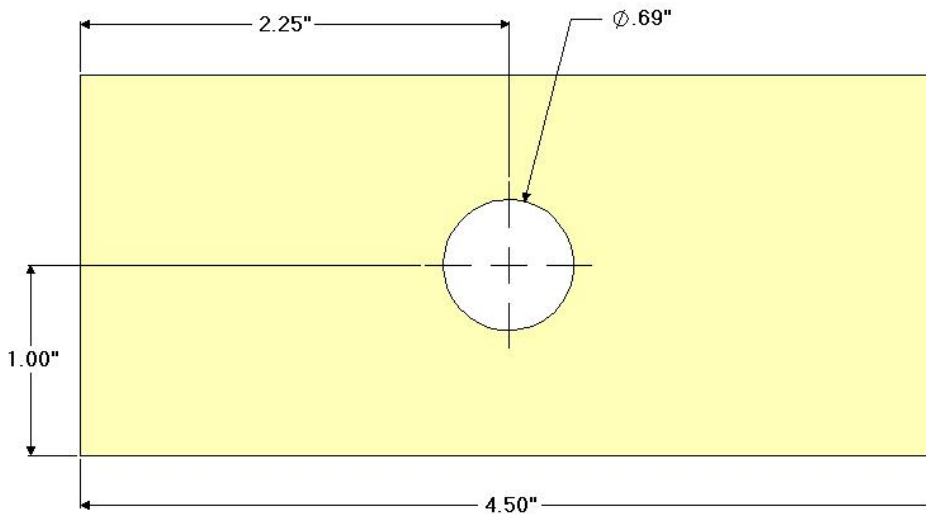
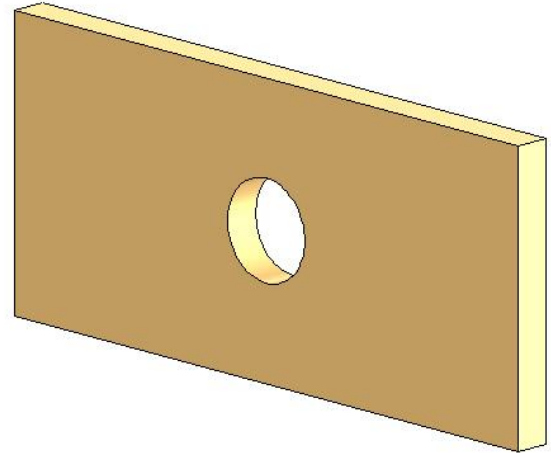
CSF P/N#	Description
HDP2450	1/2" Hardware Hold Down Plate

Notes:

- Finish is zinc yellow.

Specifications subject to change. Please contact CSF Customer Service for more information.

HDP2462 - Hold Down Plate



CSF P/N#	Description
HDP2462	5/8" Hardware Hold Down Plate

Notes:

- Finish is zinc yellow.

Specifications subject to change. Please contact CSF Customer Service for more information.