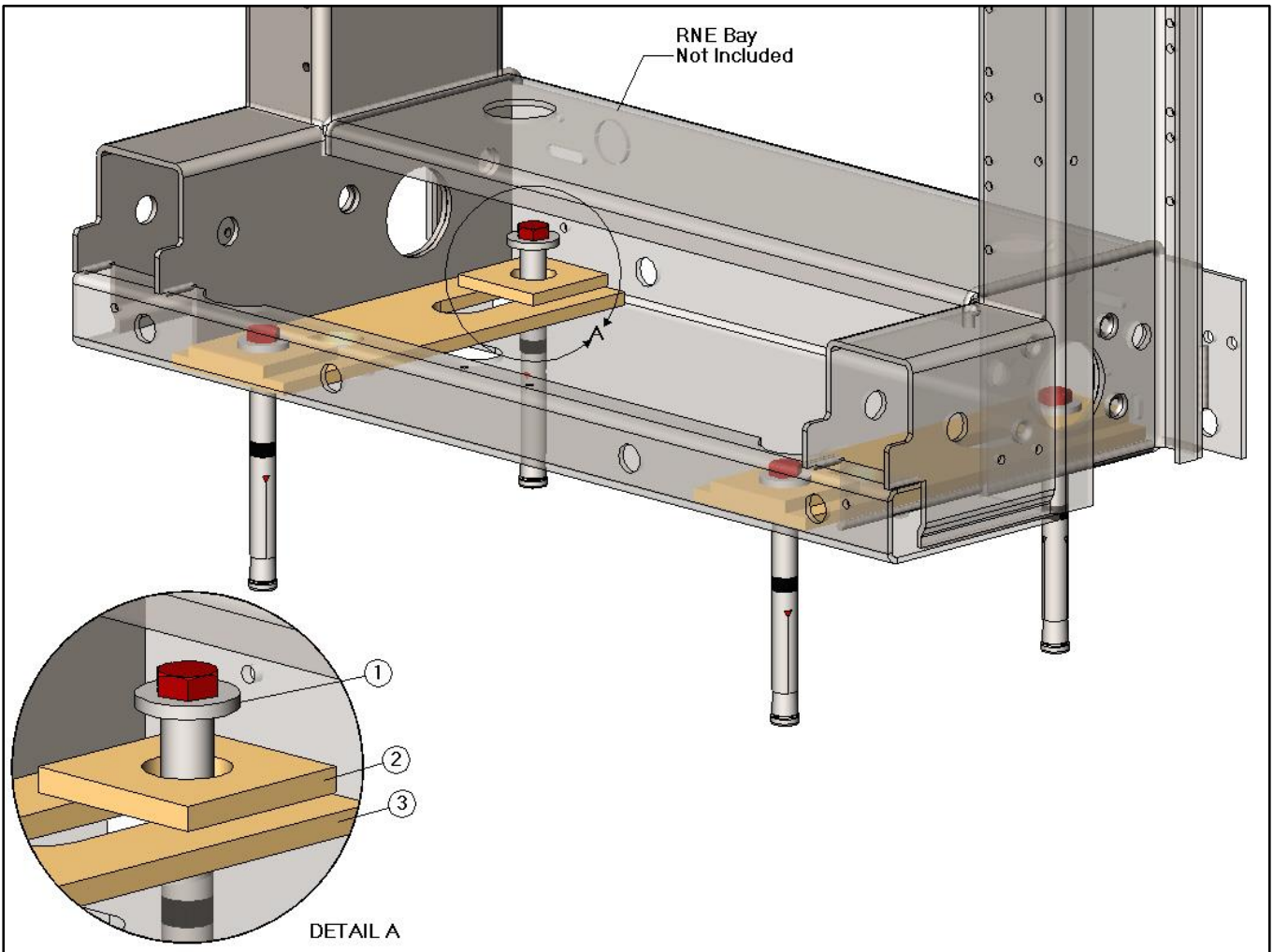


HDK2100 - Seismic Anchor Kit



HDK2100 - Seismic Anchor Kit

Item	CSF P/N#	QTY	Description
1	HL371808	4	Hilti HSL-3-B M 12/25 Expansion Bolt
2	SW287	4	1/4" Square Washer
3	HPM3000	2	Universal Hold Down Plate

Specifications subject to change. Please contact CSF Customer Service for more information.

RVSD*0719

493