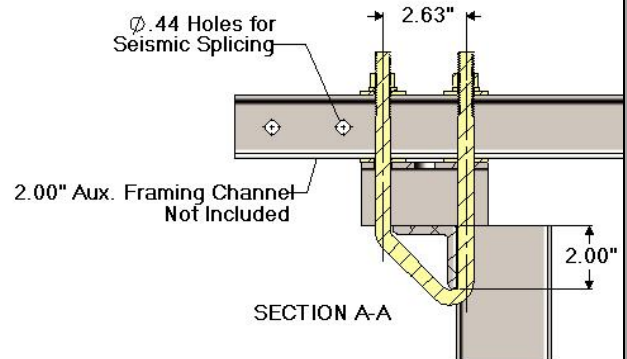
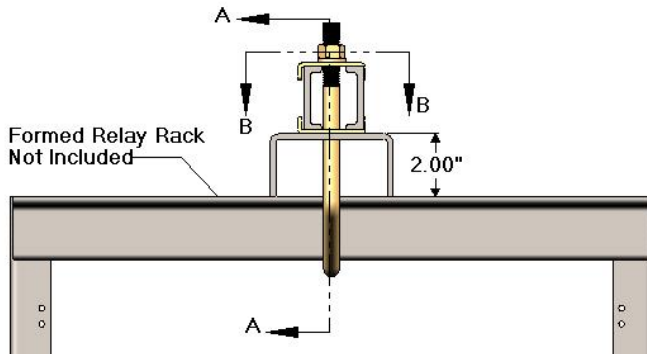
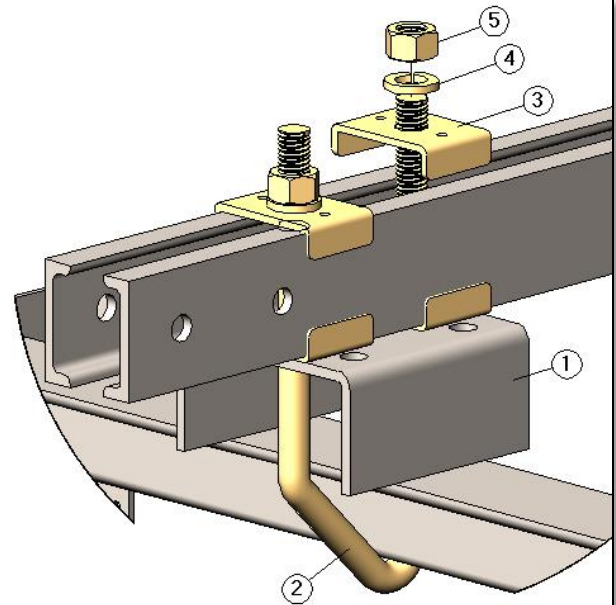
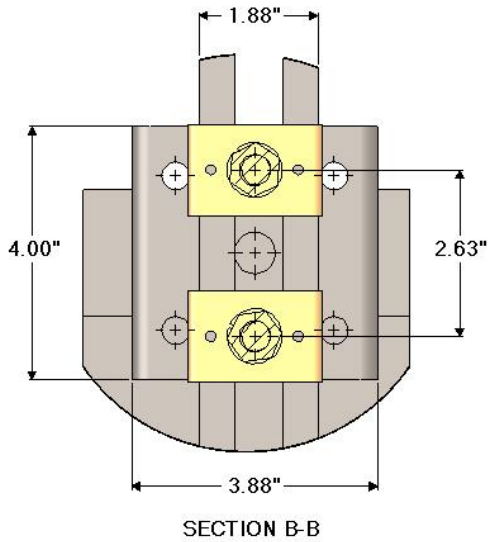




FTA3502 - Fasten Angle to Aux. Framing Channel w/ Spacer



FTA3502 - Fasten Angle to Aux. Framing Channel w/ Spacer

Item	CSF P/N#	QTY	Description
1	A1601	1	Channel Spacer Bracket
2	VB255	1	"V" Bolt
3	FC315	4	Framing Clip
4	LW157	2	1/2" Spring Lock Washer
5	HN147	2	1/2-13 Hex Nut

Notes:

CSF P/N# A1601 is color DG.
Formed Relay Rack - Not Included
Aux. Framing Channel - Not Included
Hardware finish is zinc yellow.

Specifications subject to change. Please contact CSF Customer Service for more information.