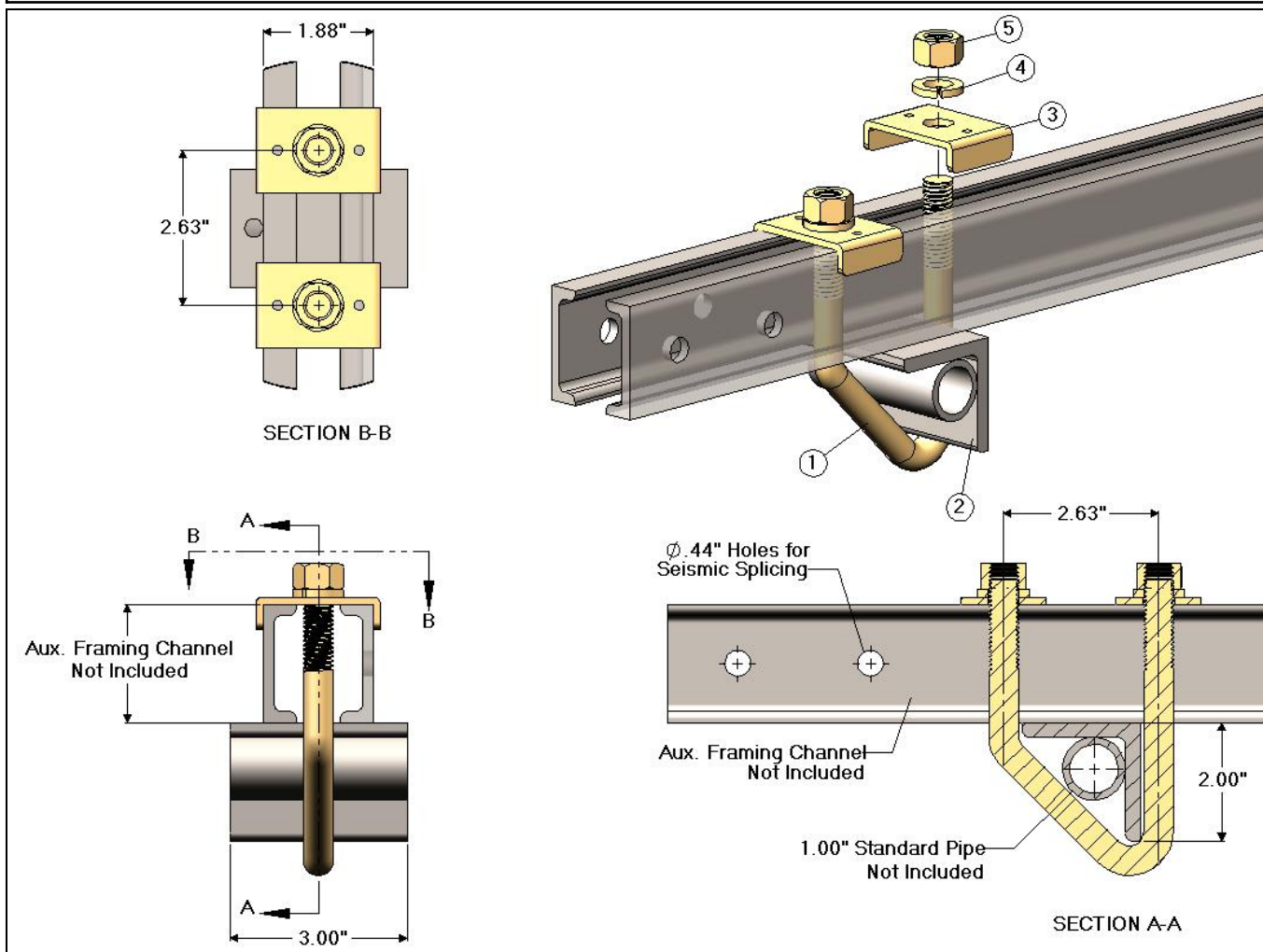




FTA3405 - Fasten 1.00" Pipe to Aux. Framing Channel to Wall Angle



FTA3405 - Fasten 1.00" Pipe to Aux. Framing Channel to Wall Angle

Item	CSF P/N#	QTY	Description
1	VB254	1	"V" Bolt
2	WA03	1	Wall Angle x 3.00" Length
3	FC315	2	Framing Clip
4	LW157	2	1/2" Spring Lock Washer
5	HN147	2	1/2-13 Hex Nut

Notes:

- WA03 defaults to DG.
- 1.00" Standard Pipe - Not Included
- Aux. Framing Channel - Not Included
- Hardware finish is zinc yellow.

Specifications subject to change. Please contact CSF Customer Service for more information.