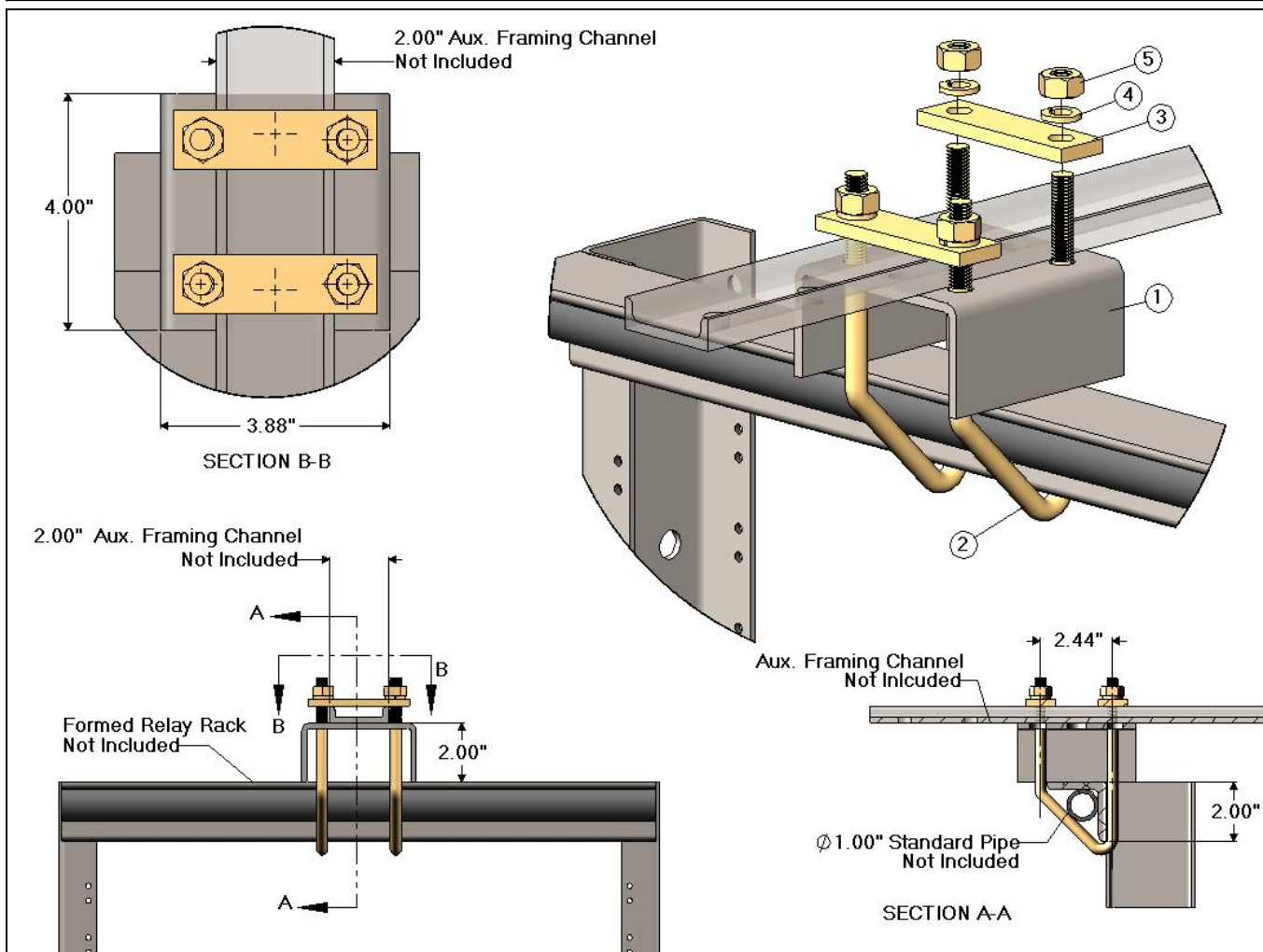




FTA1401 - Fasten Top Angle to Aux. Framing Channel w/ Spacer



FTA1401 - Fasten Top Angle to Aux. Framing Channel w/ Spacer

Item	CSF P/N#	QTY	Description
1	A1601	1	Channel Spacer Bracket
2	VB253	2	"V" Bolt
3	THP282	2	Hold Down Plate
4	LW156	4	3/8" Spring Lock Washer
5	HN146	4	3/8-16 Hex Nut

Notes:

- Formed Relay Rack - Not Included
- 1.00" Standard Pipe - Not Included
- Aux. Framing Channel - Not Included
- Hardware finish is zinc yellow.