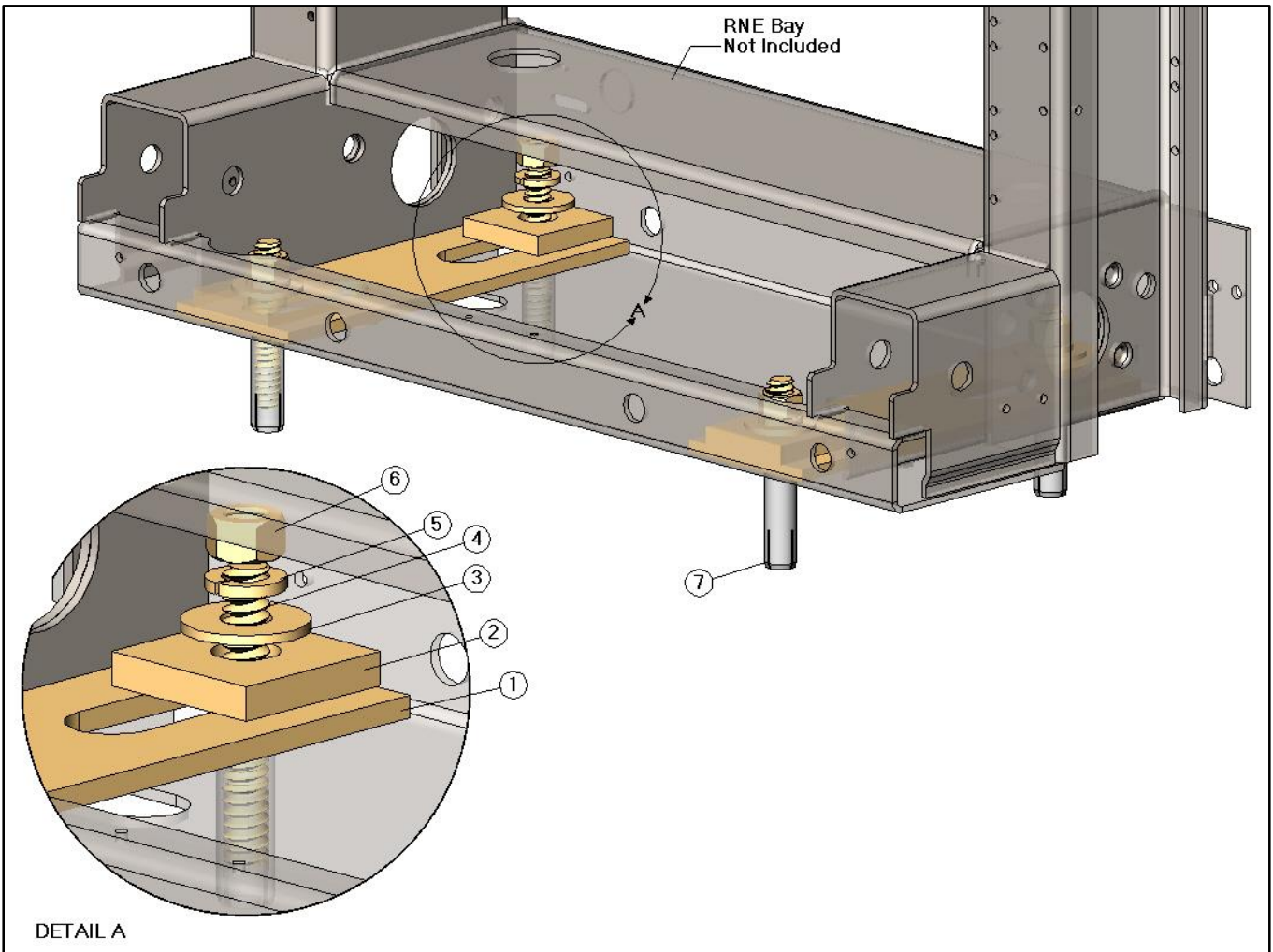


**FMH50D - Non Seismic Anchor Kit**



FMH50D - Non Seismic Anchor kit			
Item	CSF P/N#	Description	QTY
1	HPM3000	Universal Hold Down Plate	2
2	HDP2200	Hold Down Plate	4
3	FW167	1/2" Flat Washer	4
4	TR29	1/2-13 Threaded Rod x 3.25" Length	4
5	LW157	1/2" Spring Lock Washer	4
6	HN147	1/2-13 Hex Nut	4
7	DIA50	1/2-13 Drop in Anchor	4

Specifications subject to change. Please contact CSF Customer Service for more information.

RVSD\*0719

**497**