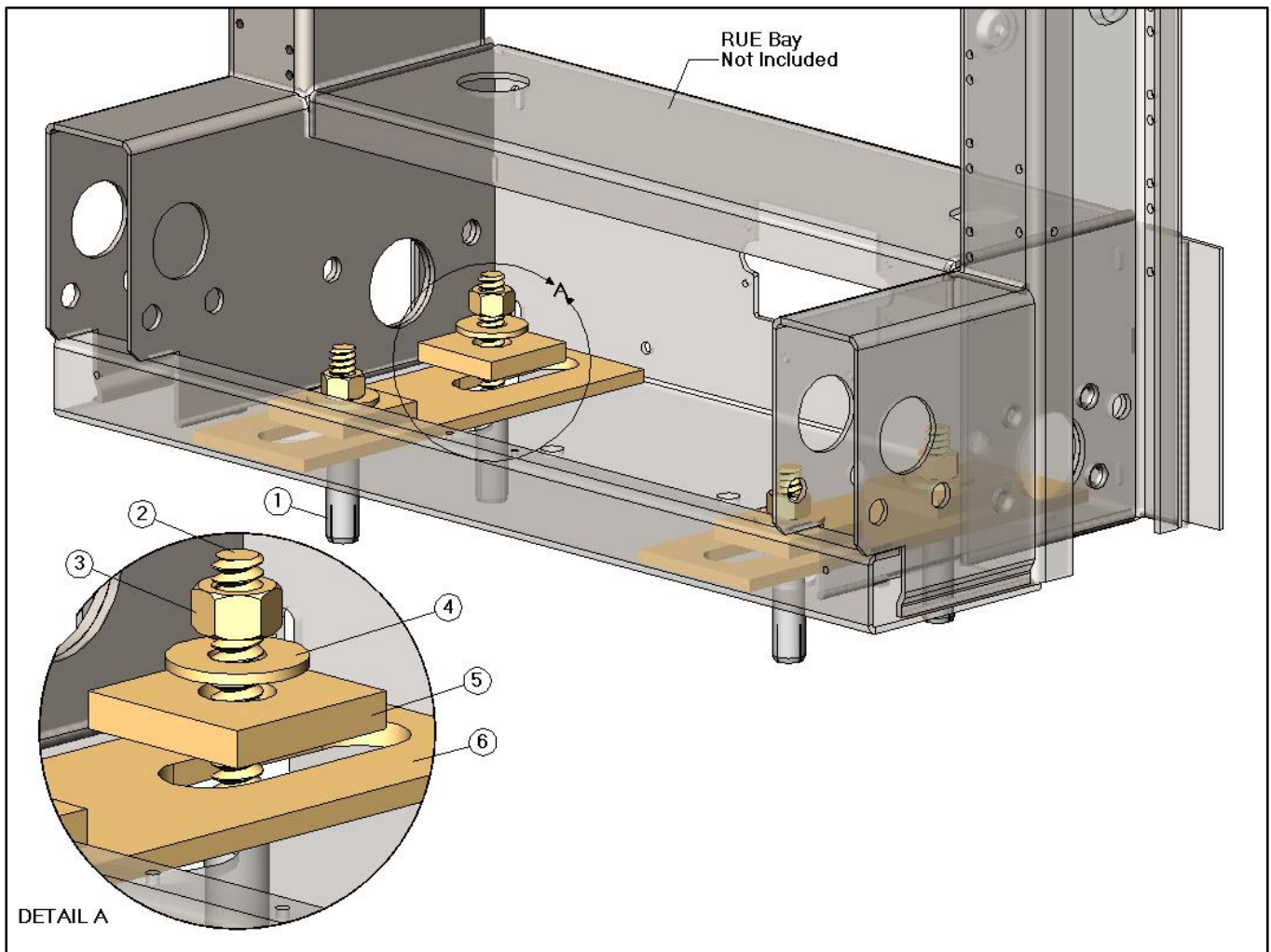


**FMH2300 - Non Seismic Anchor Kit**



**FMH2300 - Non Seismic Anchor kit**

Item	CSF P/N#	Description	QTY
1	HL336427	Hilti HDI 1/2" Drop in Anchor	4
2	TR29	1/2-13 Threaded Rod x 3.25" Length	4
3	HN147	1/2-13 Hex Nut	4
4	FW167	1/2" Flat Washer	4
5	HDP2200	Hold Down Plate	4
6	HPM3000	Universal Hold Down Plate	2

Specifications subject to change. Please contact CSF Customer Service for more information.

RVSD\*0719

**520**