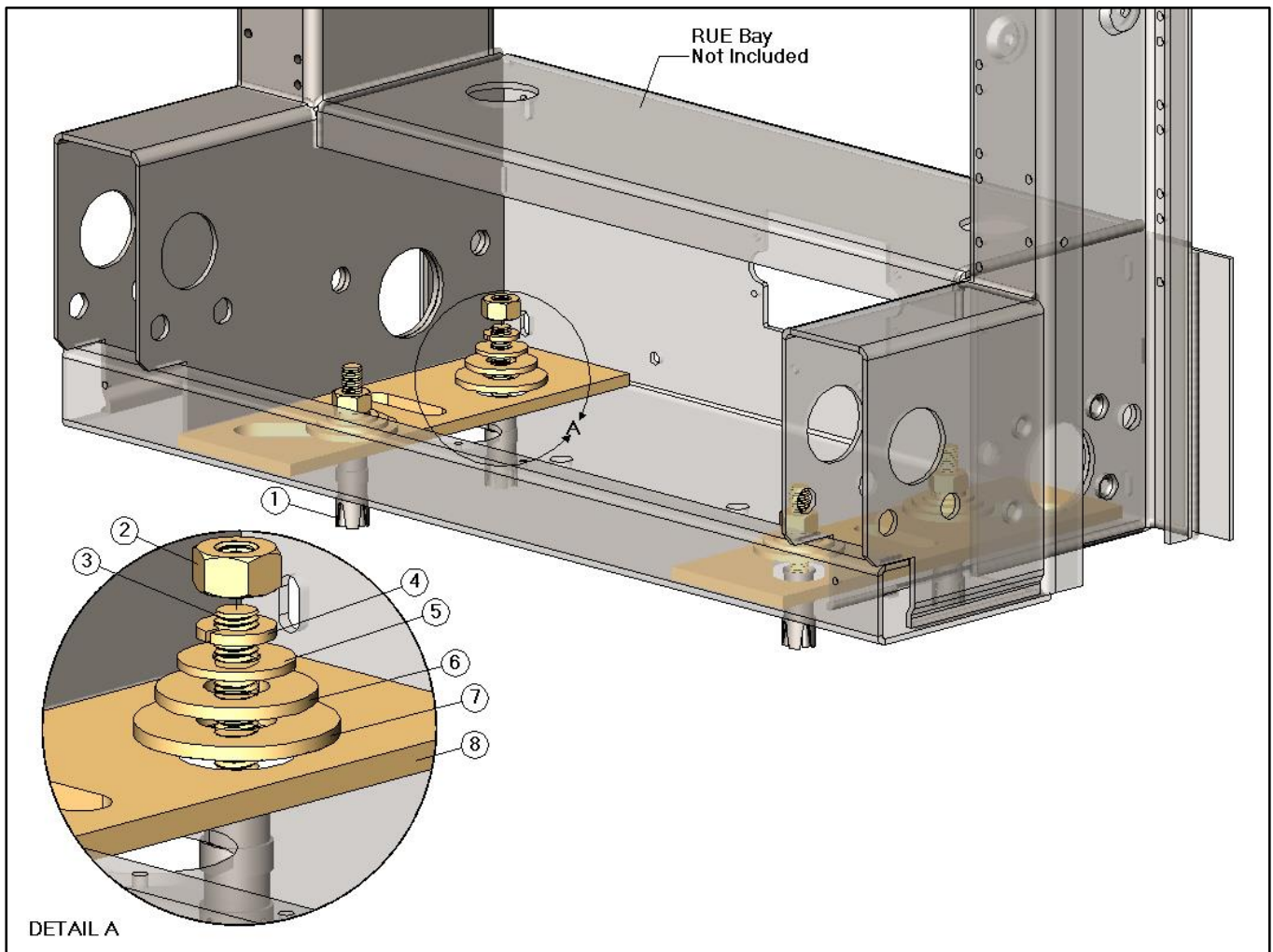


## FMH1001 - Non Seismic Anchor Kit



### FMH1001 - Non Seismic Anchor kit

Item	CSF P/N#	Description	QTY
1	ES1805	3/8" Expansion Shield	4
2	HN146	3/8-16 Hex Nut	4
3	TR03	3/8-16 Threaded Rod x 3.00" Length	4
4	LW156	3/8" Spring Lock Washer	4
5	FW166	3/8" Flat Washer	4
6	FW167	1/2" Flat Washer	4
7	FW168	5/8" Flat Washer	4
8	HPU3000	Hold Down Plate	2

Specifications subject to change. Please contact CSF Customer Service for more information.

RVSD\*0719

500