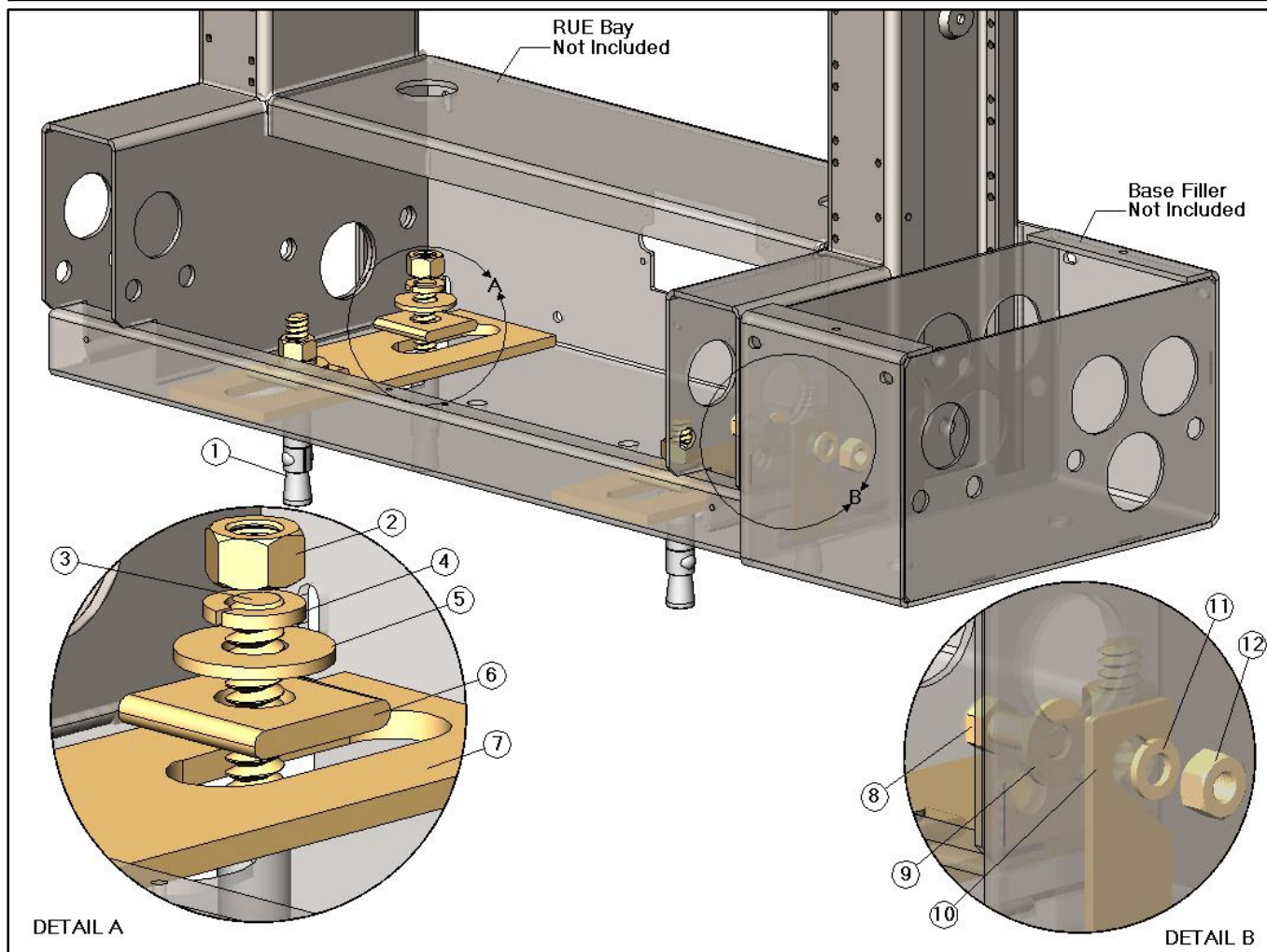


FMH0902 - Non Seismic Anchor Kit



FMH0902 - Non Seismic Anchor kit

Item	CSF P/N#	Description	QTY
1	SDA12	1/2-13 Self Drill Expansion Anchor	4
2	HN147	1/2-13 Hex Nut	4
3	TR29C	1/2-13 Threaded Rod x 4.50" Length	4
4	LW157	1/2" Spring Lock Washer	4
5	FW167	1/2" Flat Washer	4
6	SW62	5/8" Hole Square Washer	8
7	HPM3000	Universal Hold Down Plate	2
8	HH1004	3/8-16 HHCS x .88" Length	1
9	FW166	3/8" Flat Washer	1
10	R500	Bay Spacer Bracket	1
11	LW156	3/8" Spring Lock Washer	1
12	HN146	3/8-16 Hex Nut	1

Specifications subject to change. Please contact CSF Customer Service for more information.

RVSD*0719

501