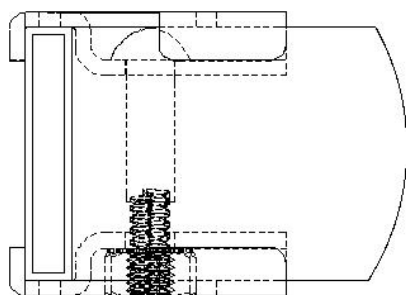
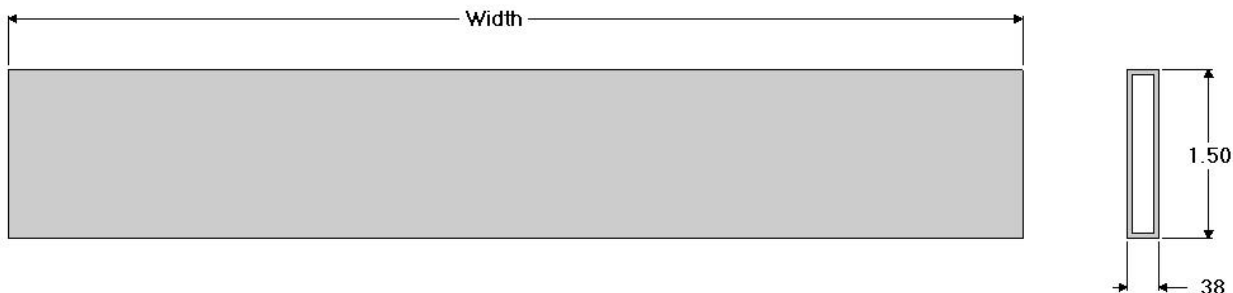
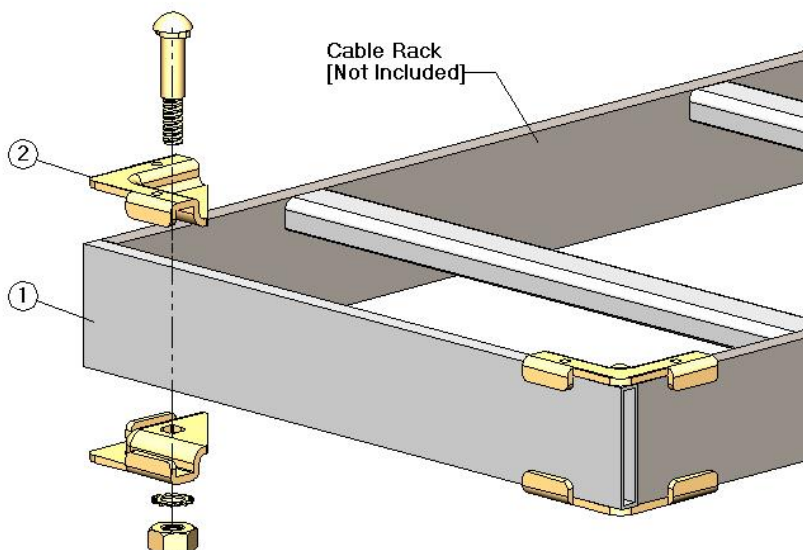




ET1xx Series - End Closing Tube for 1.50" Cable Racks



Side View



ET1xx Series End Closing Tube for 1.50" Cable Rack		
CSF P/N#	Width	Cable Rack Width
ET105	5.00"	5.00"
ET106	6.00"	6.00"
ET112	12.00"	12.00"
ET115	15.00"	15.00"
ET118	18.00"	18.00"
ET120	20.00"	20.00"
ET124	24.00"	24.00"
ET130	30.00"	30.00"

ET1xxK01 - 1.50" End Tube Kit w/ CC12			
Item	CSF P/N#	QTY	Description
1	ET1xx	1	End Tube for 1.50" Cable Rack
2	CC12	1	Corner Clamp Kit for 1.50" Cable Rack

Notes:

- For ET1xx add K01 for the kit [Example: EB110K01]
- Hardware finish is zinc yellow.
- Cable Rack - Not Included

Specifications subject to change. Please contact CSF Customer Service for more information.