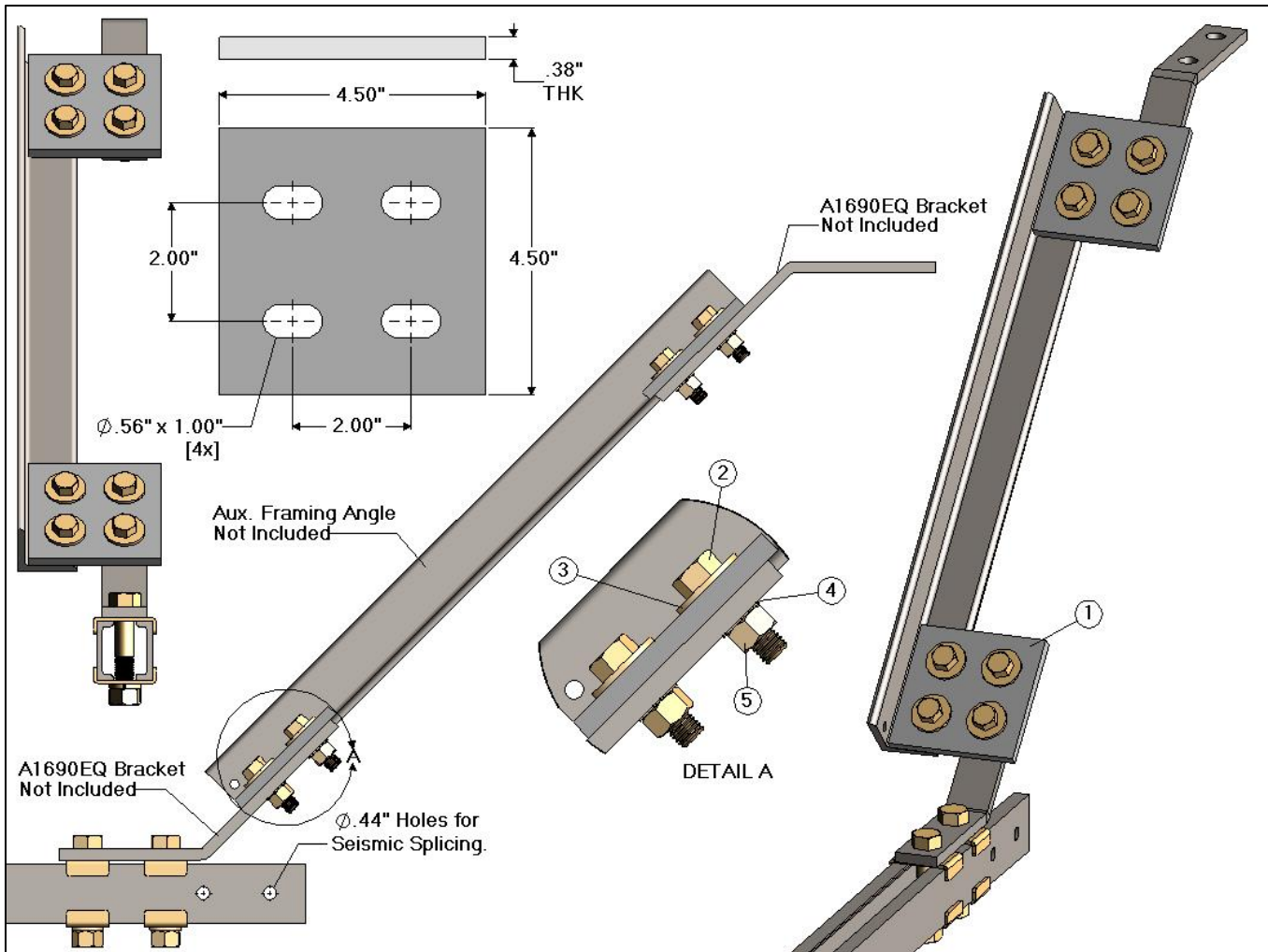


## EQP4545DGK - Slotted Offset EQ Plate Kit



EQP4545DGK - Slotted Offset EQ Plate Kit			
Item	QTY	CSF P/N#	Description
1	2	EQP4545DG	Slotted Offset EQ Plate
3	8	HH1106	1/2-13 HHCS x 1.75" Length
2	8	FW167	1/2" Flat Washer
4	8	LWE157	1/2" External Tooth Lock Washer
5	8	HN147	1/2-13 Hex Nut

- Notes:**
- EQP4545DG defaults to color: DG
  - Aux. Framing Channel - Not Included
  - Aux. Framing Angle - Not included
  - A1690EQ Bracket - Not Included
  - Framing Clips - Not Included
  - Hardware finish is zinc yellow.

Specifications subject to change. Please contact CSF Customer Service for more information.