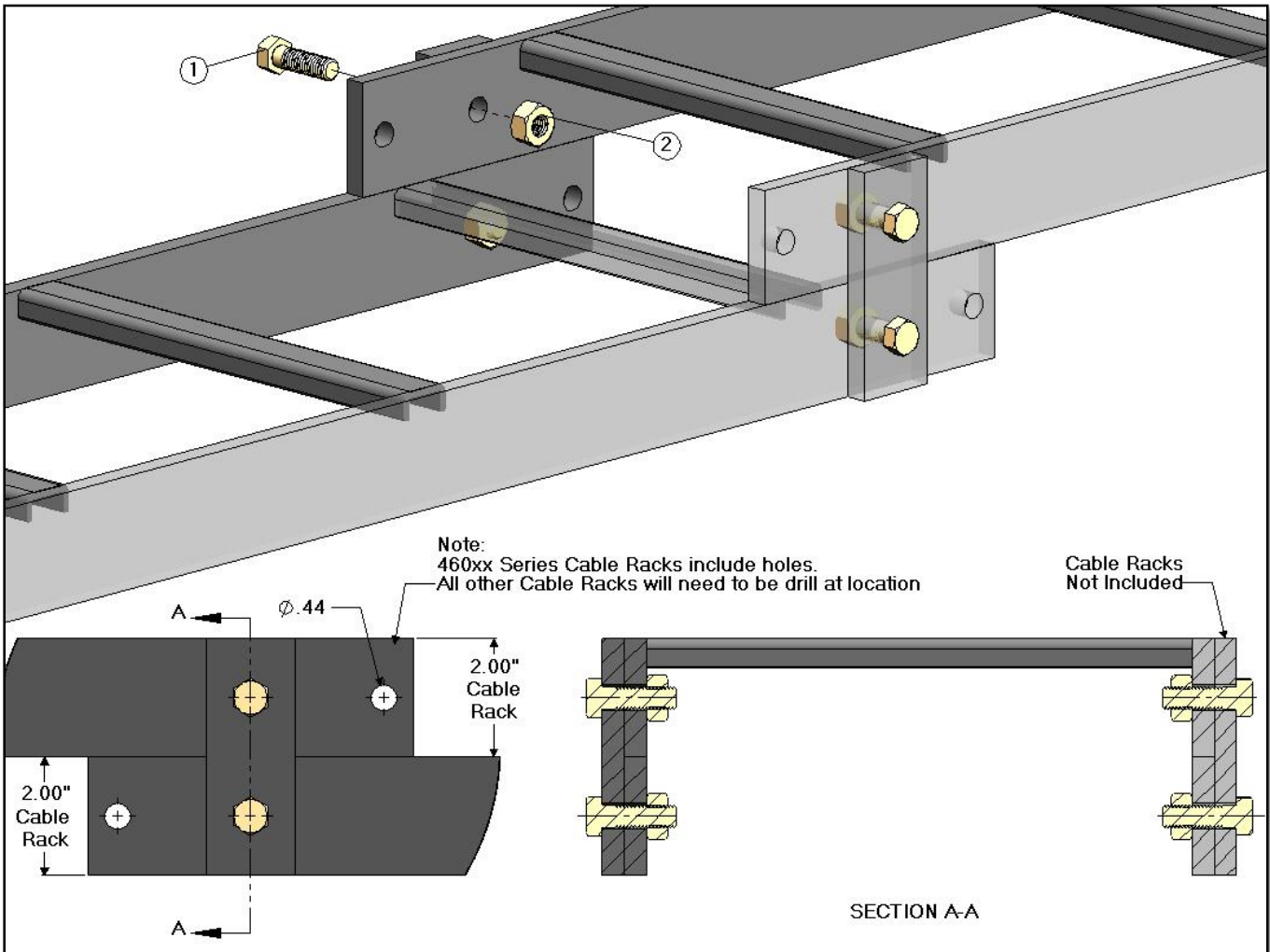


## CTC7702 - Step Down Splice Kit



### CTC7702 Step Down Splice Kit

Item	CSF P/N#	QTY	Description
1	HH1006	4	3/8-16 HHCS x 1.25" Length
2	HN146	4	3/8-16 Hex Nut

**Notes :**

- 460xx Series Cable Racks include holes.
- All other Cable Racks will need to be drill at location.
- Cable Racks - Not Included
- Hardware finish is zinc yellow.

Specifications subject to change. Please contact CSF Customer Service for more information.