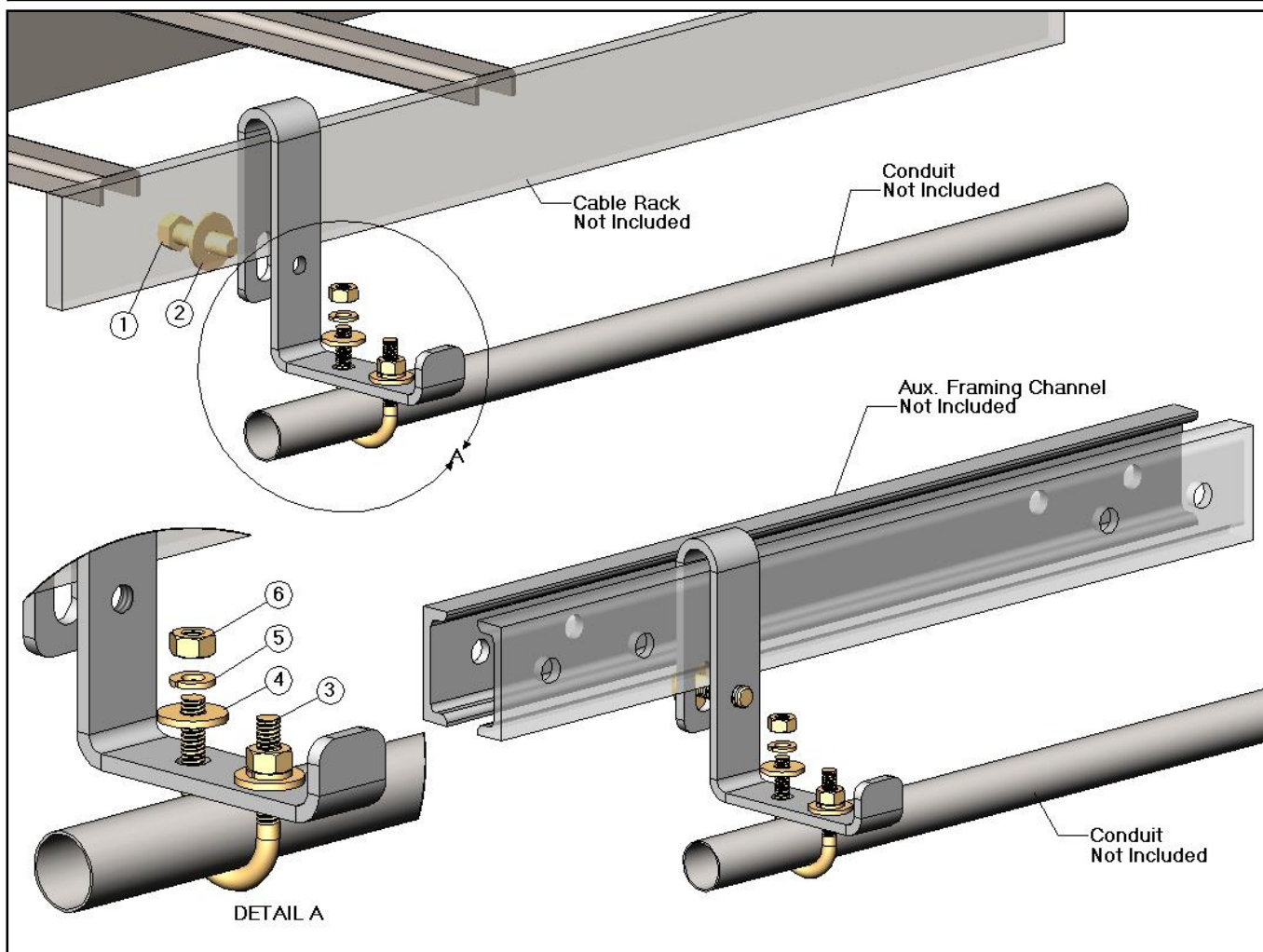




CMP050 - Aux. Conduit Mounting Bracket Kit



CMP050 - Aux. Conduit Mounting Bracket Kit

Item	CSF P/N#	QTY	Description
1	HH1006	1	3/8-16 HHCS x 1.25" Length
2	FW166	1	3/8" Flat Washer
3	UBS240	1	1/4-20 U Bolt
4	FW164	2	1/4" Flat Washer
5	LW154	2	1/4" Spring Lock Washer
6	HN144	2	1/4-20 Hex Nut

Notes:

- Cable Rack - Not Included
- Aux. Framing Channel - Not Included
- Hardware is zinc yellow
- Conduit - Not Included

Specifications subject to change. Please contact CSF Customer Service for more information.