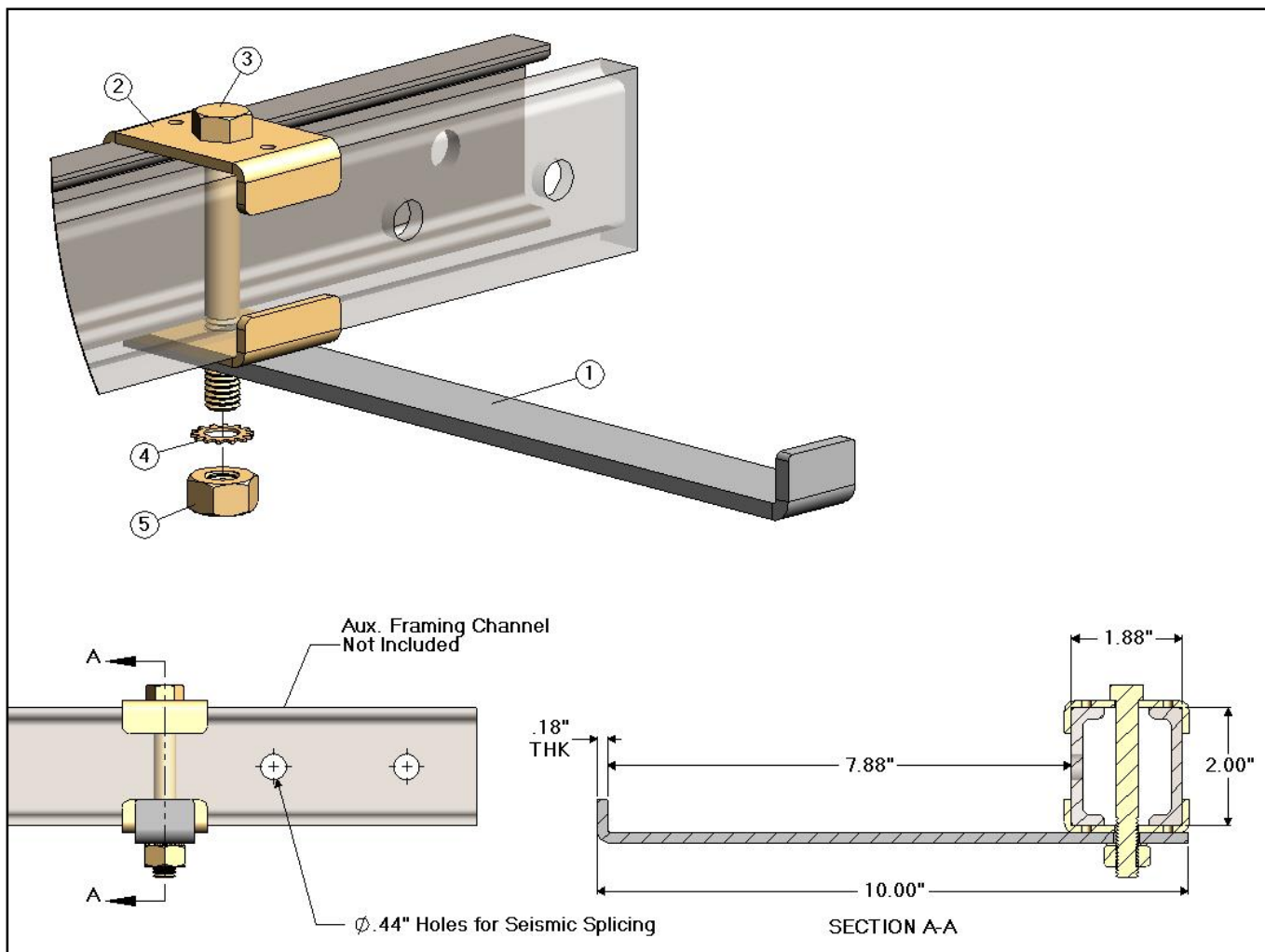




APB10K - 10.00" Aux. Framing Channel Power Bracket



APB10K - 10.00" Aux. Framing Channel Power Bracket

Item	CSF P/N#	QTY	Description
1	APB10	1	10.00" Aux. Framing Channel Power Bracket
2	FC314	2	Framing Clip
3	HH1013	1	3/8-16 HHCS X 3.00" Length
4	LWE156	1	3/8" External Tooth Lock Washer
5	HN146	1	3/8-16 Hex Nut

Notes:

- Finish: ABP10 available in DG.
- All hardware zinc yellow.
- Aux. Framing Channel - Not Included

Specifications subject to change. Please contact CSF Customer Service for more information.