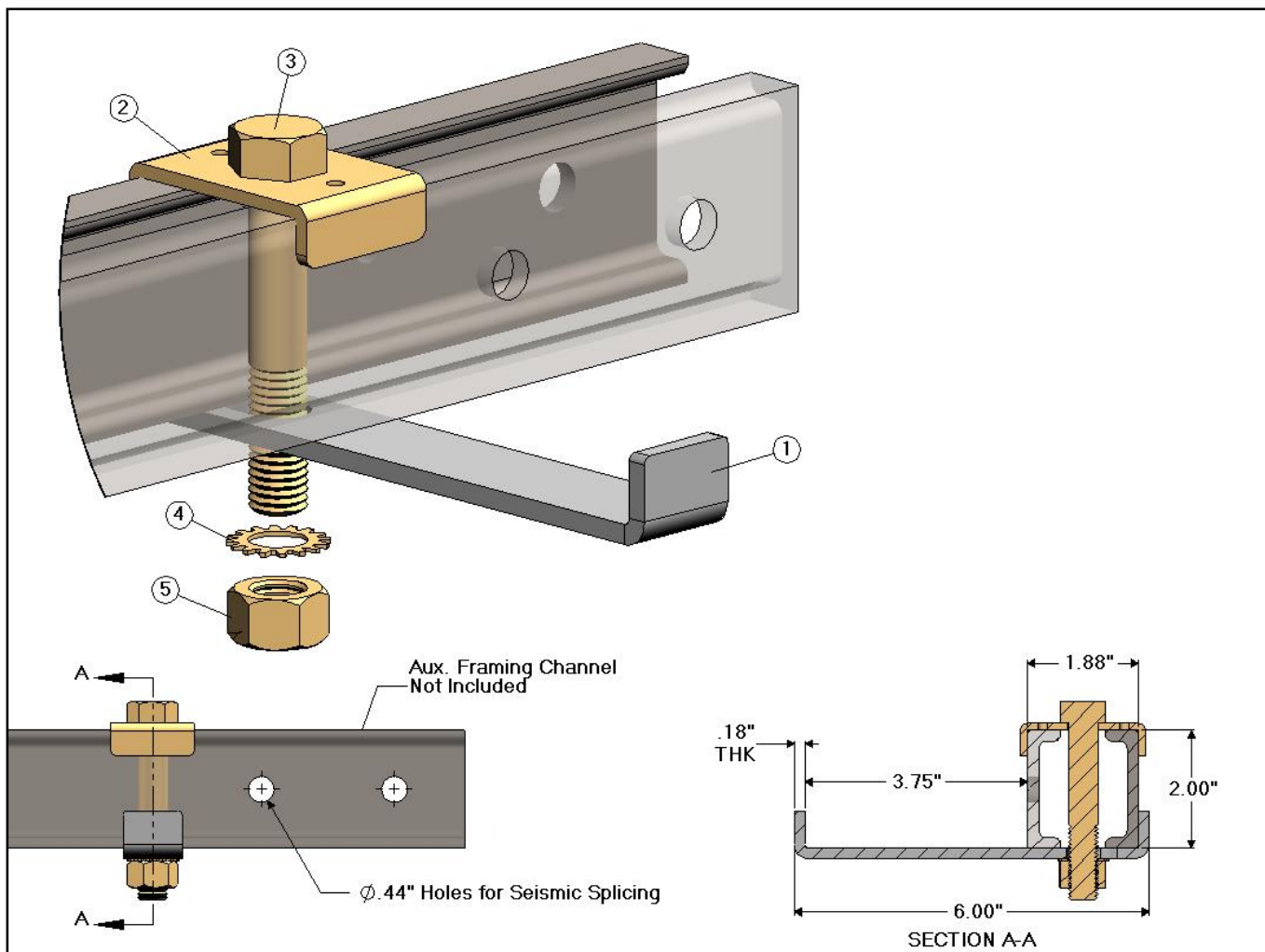




APB06K - 6.00" Aux. Framing Channel Power Bracket



APB06K - 6.00" Aux. Framing Channel Power Bracket

Item	CSF P/N#	QTY	Description
1	APB06	1	6.00" Aux. Framing Channel Power Bracket
2	FC315	1	Framing Clip
3	HH1111	1	1/2-13 HHCS X 3.00" Length
4	LWE157	1	1/2" External Tooth Lock Washer
5	HN147	1	1/2-13 Hex Nut

Notes:

- Finish: ABP06 available in DG and zinc yellow.
- Hardware finish is zinc yellow.
- Aux. Framing Channel - Not Included