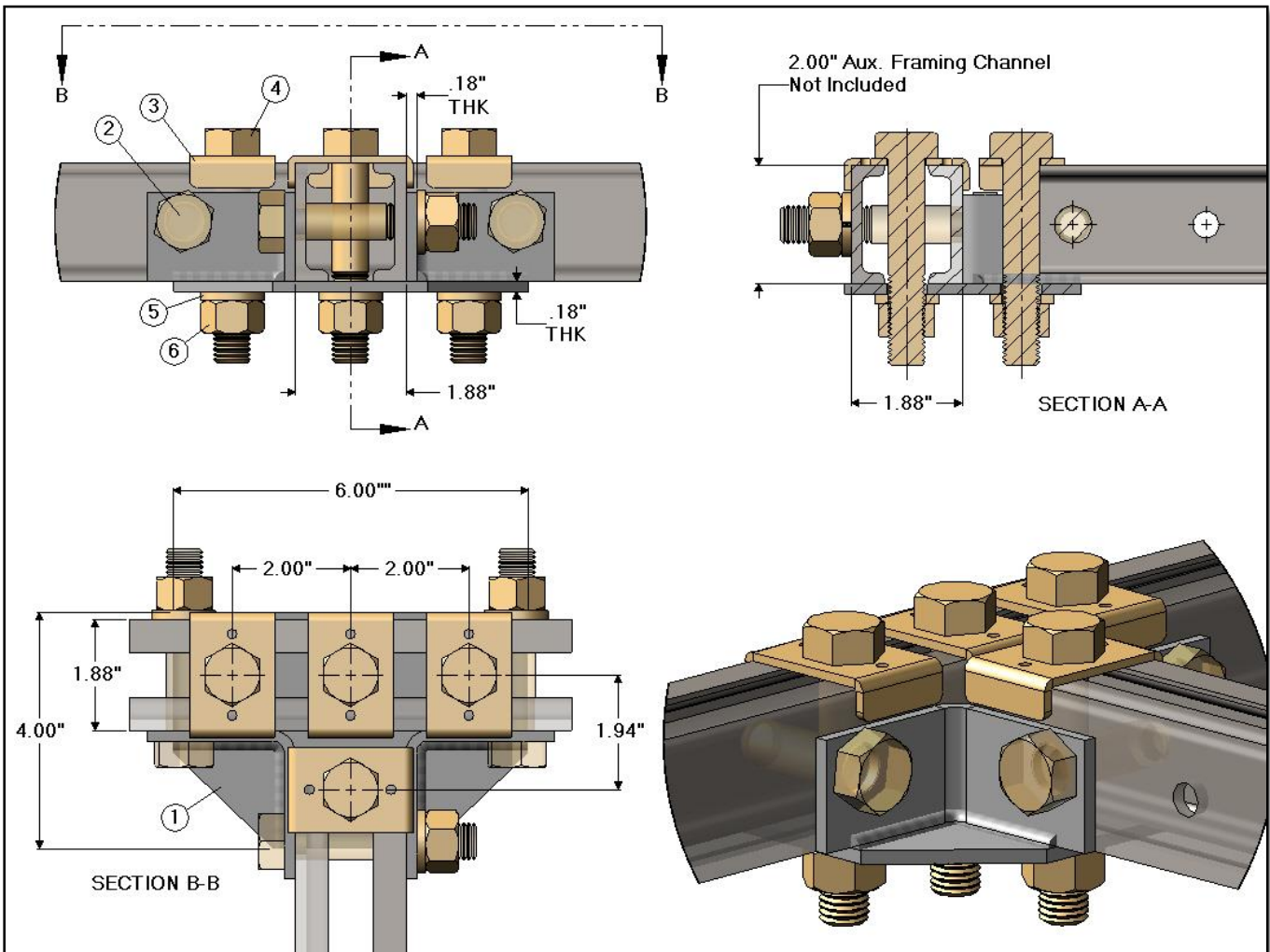




AFT4119xxK - Heavy Duty "T" Junction Earthquake Kit



AFT4119XXK - Heavy Duty "T" Junction Earthquake Kit

Item	CSF P/N#	QTY	Description
1	AFT4119	1	Heavy Duty "T" Junction Earthquake Bracket
2	HH1210	2	5/8-11 HHCS X 3.25" Length
3	FC316	4	Framing Clip
4	HH1211	5	5/8-11 HHCS X 3.50" Length
5	LW158	7	5/8" Spring Lock Washer
6	HN148	7	5/8-11 Hex Nut

Notes:

- 2.00" Aux. Framing Channel - Not Included
- AFT4119 available in zinc yellow or DG.
- Hardware finish is zinc yellow.