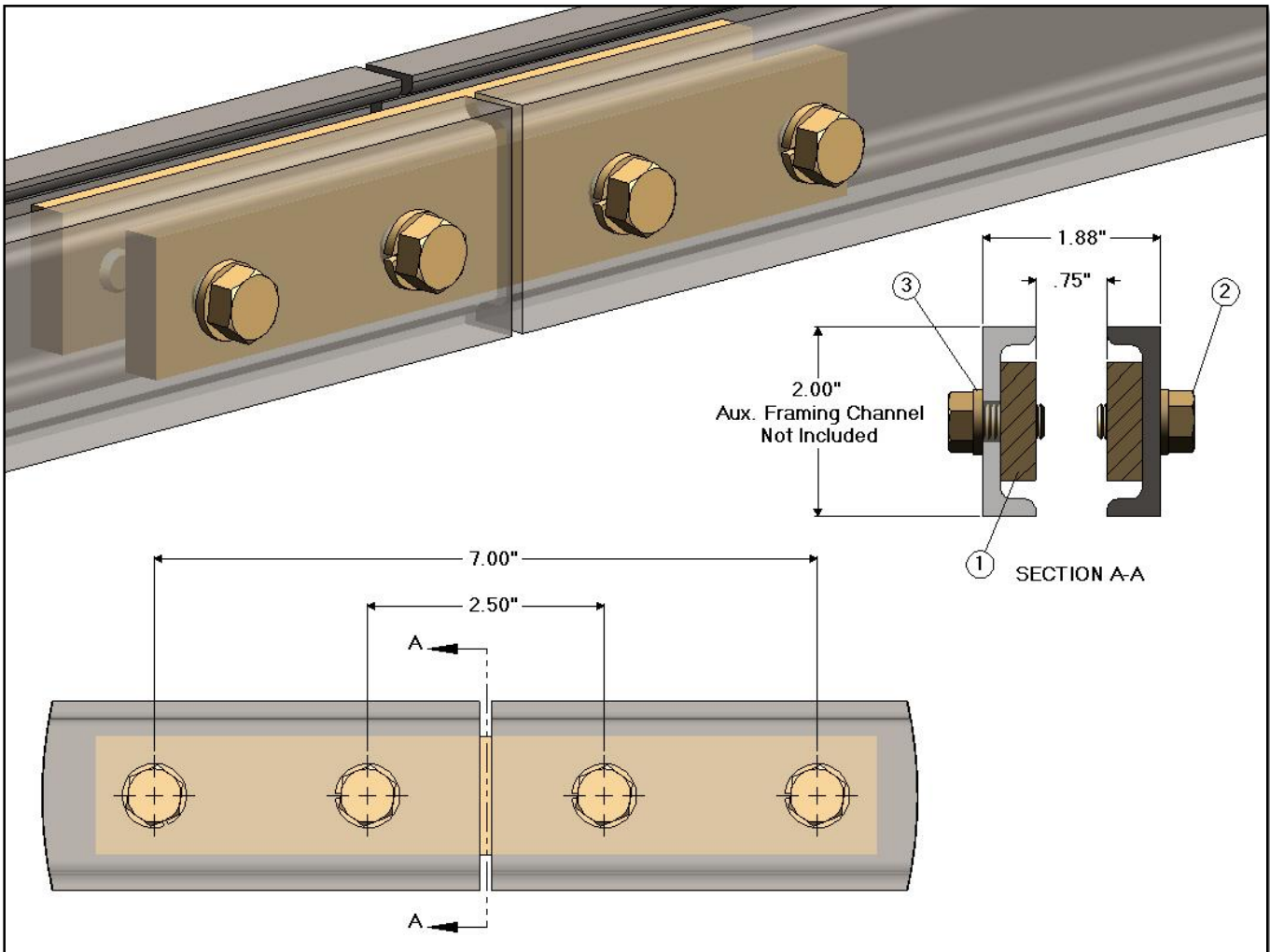


AFS825 - Aux. Framing Channel Splice Bar



AFS825 - Aux. Framing Channel Splice Bar			
Item	CSF P/N#	QTY	Description
1	AFS825B	2	Aux. Framing Channel Splice Bar
2	HH1003	8	3/8-16 HHCS x 3/4" Length
3	LW156	8	3/8" Spring Lock Washer
4	LWE156	8	3/8" External Tooth Lock Washer - Not Shown

Notes:

- Aux. Framing Channel - Not Included
- Hardware finish is zinc yellow.

Specifications subject to change. Please contact CSF Customer Service for more information.