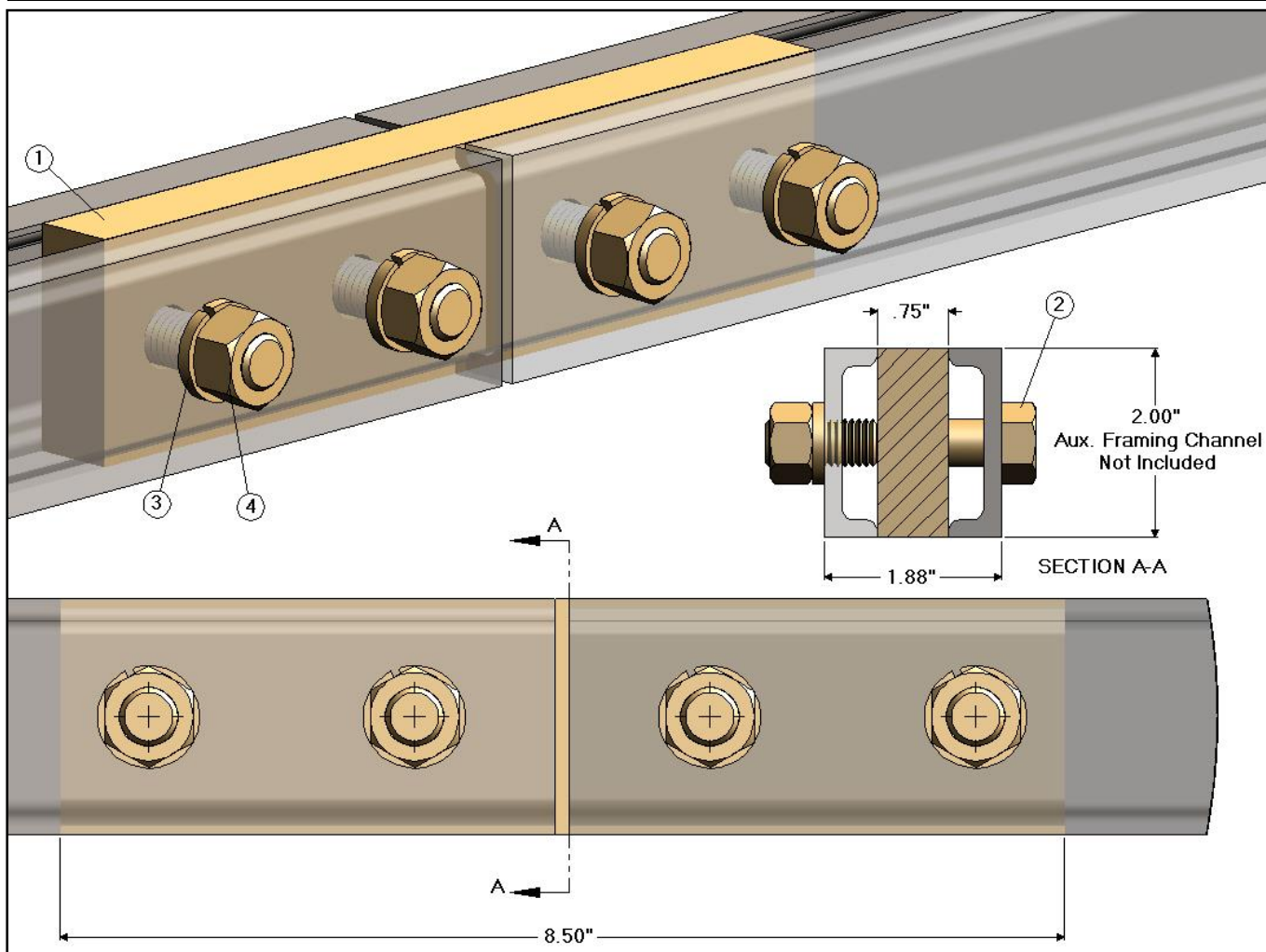


AFS4602 - Aux. Framing Channel Splice Rigid



AFS4602 - Aux. Framing Channel Splice Rigid

Item	CSF P/N#	QTY	Description
1	A6168	1	Splice Rigid Bracing Bar
2	HH1109	4	1/2-13 HHCS x 2.50" Length
3	LW157	4	1/2" Spring Lock Washer
4	HN147	4	1/2-13 Hex Nut

Notes:

- When using this kit w/ CSF P/n# AFC22xx Series Aux. Framing Channel, holes in channel will need to be drilled to .56 to accommodate the 1/2" hardware in this kit.
- 2.00" Aux. Framing Channel - Not Included
- Hardware finish is zinc yellow.

Specifications subject to change. Please contact CSF Customer Service for more information.