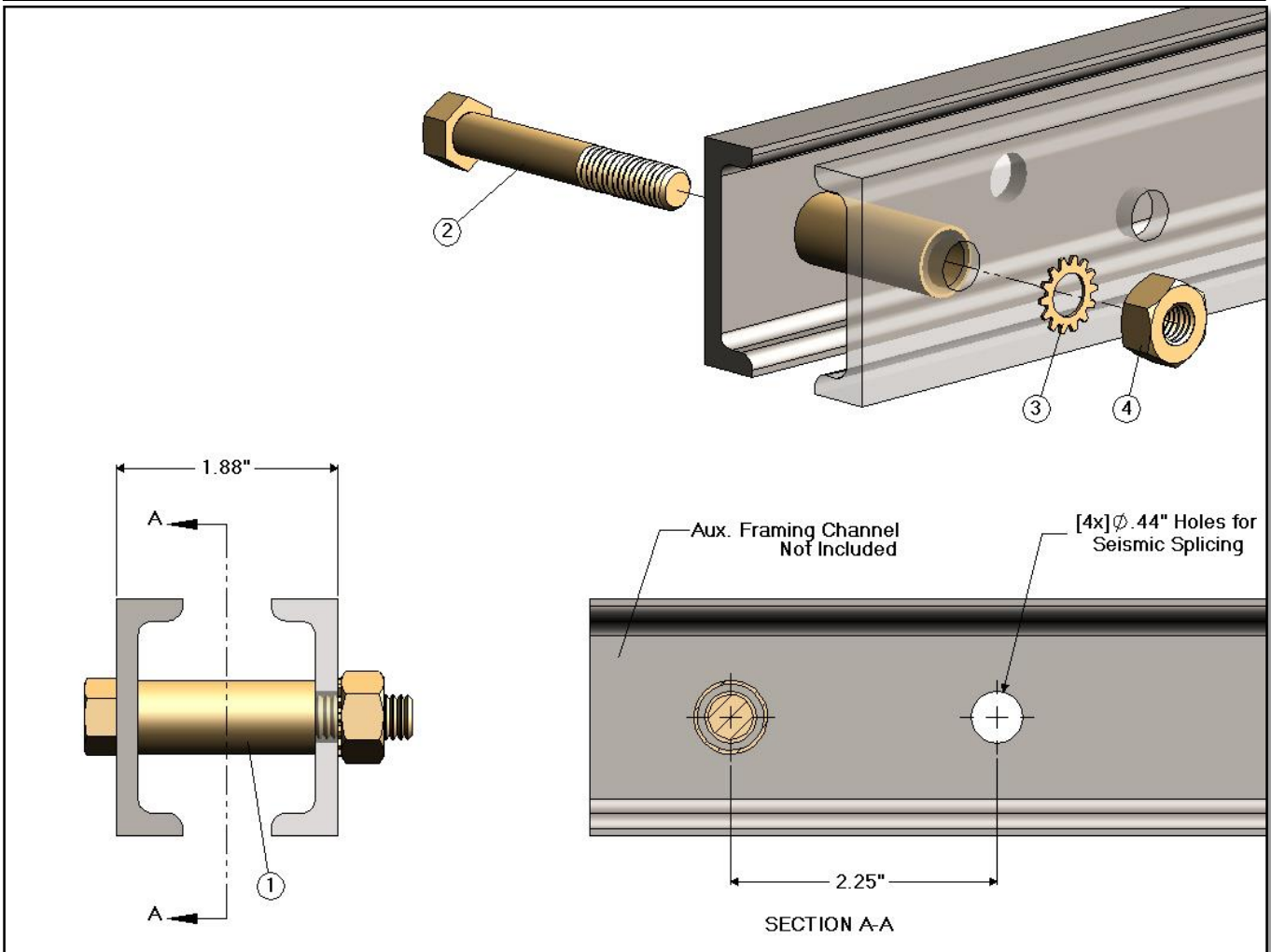


**AFE375- Aux. Framing Channel End Spacer Tube**



**AFE375- Aux. Framing Channel End Spacer Tube**

Item	CSF P/N#	QTY	Description
1	A8171-150	1	Aux. Framing Channel Spacer Tube
2	HH1011	1	3/8-16 HHCS x 2.50" Length
3	LWE156	1	3/8" External Tooth Lock Washer
4	HN146	1	3/8-16 Hex Nut

**Notes:**

- Aux. Framing Channel - Not Included
- For Seismic Splicing Kits reference: CSF P/n# AFS4602 and CSF P/n# AFS825 Splice Bar Kits - not included.
- Hardware finish is zinc yellow.

Specifications subject to change. Please contact CSF Customer Service for more information.