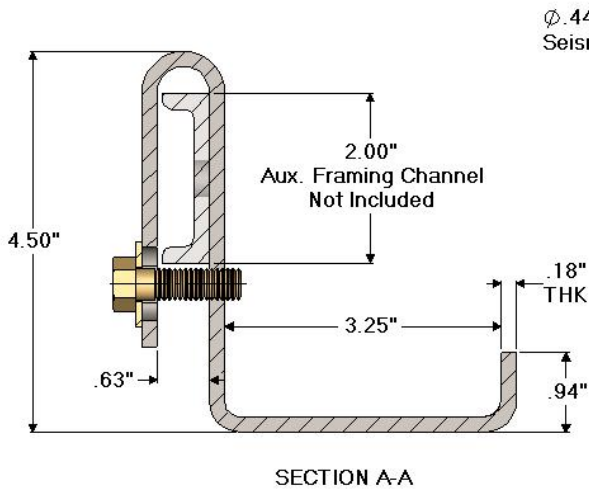
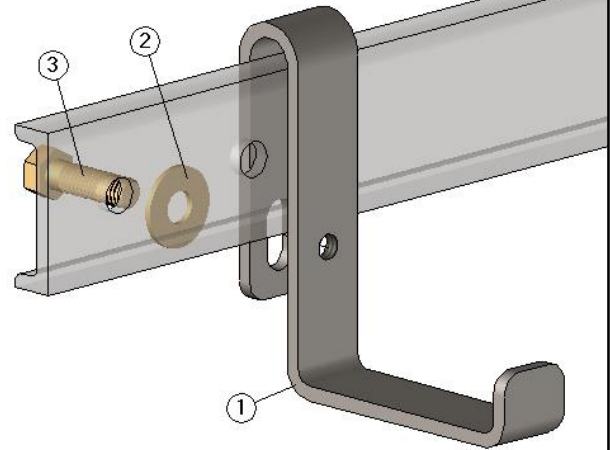
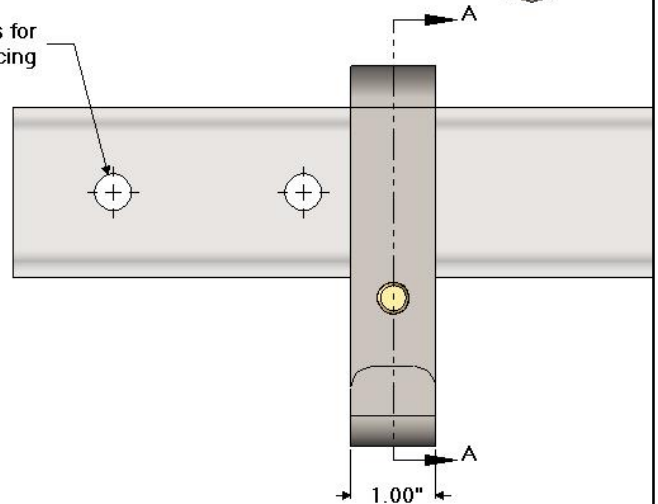


## ACB4 - Aux. Framing Channel Bracket



Ø.44" Holes for Seismic Splicing



### ACB4 - Aux. Framing Channel Bracket

Item	CSF P/N#	QTY	Description
1	ACB4	1	Aux. Framing Channel Bracket
2	FW166	1	3/8" Flat Washer
3	HH1006	1	3/8-16 HHCS X 1.25" Length

**Notes:**

- Finish: Available in DG and zinc yellow.
- All Hardware is zinc yellow.
- 2.00" Aux. Framing Channel - Not Included

Specifications subject to change. Please contact CSF Customer Service for more information.