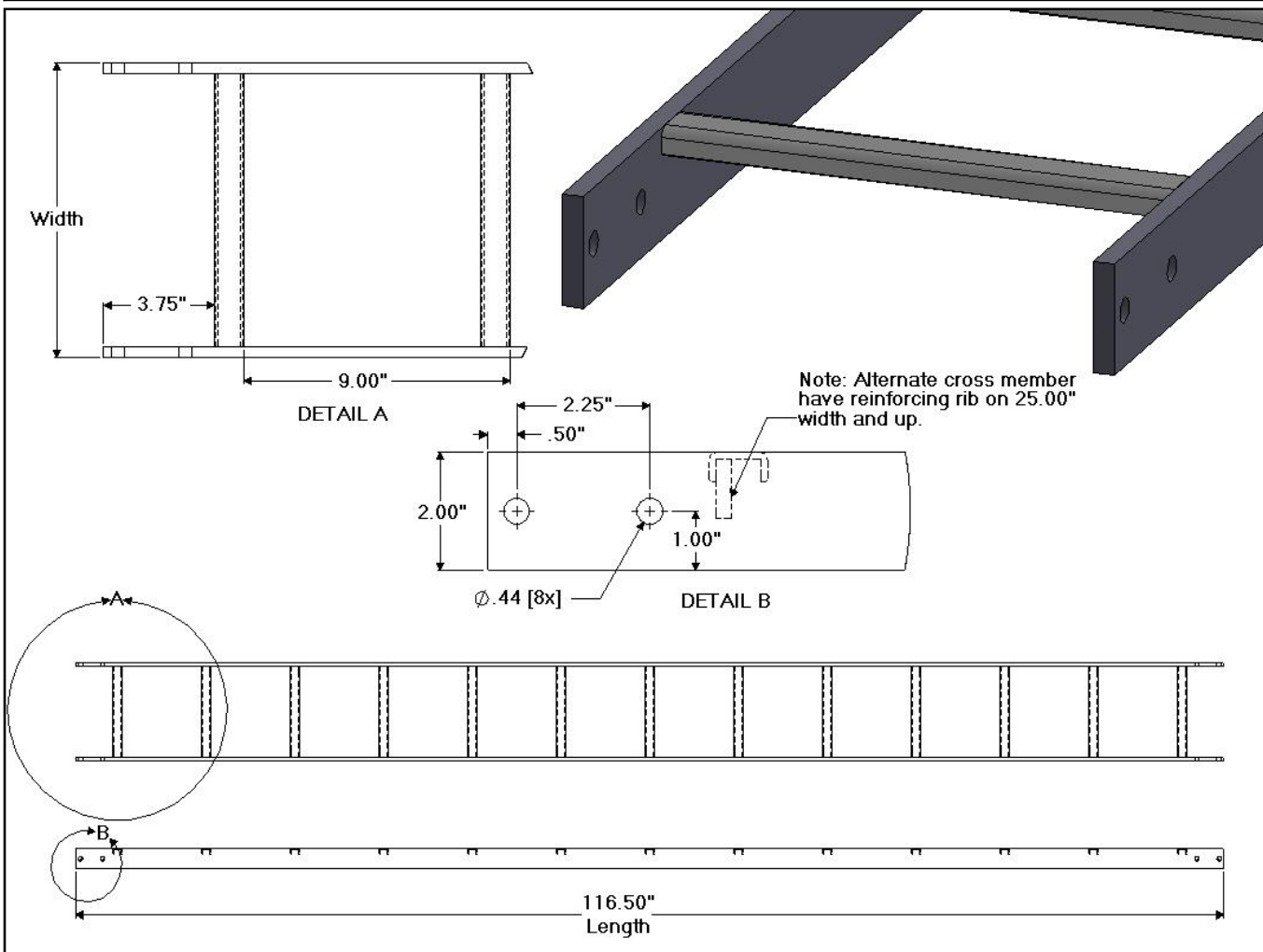




460xx Series - Predrilled Earthquake Mount Solid Bar Cable Rack



460xx Series Predrilled Earthquake Mount Solid Bar Cable Rack	
CSF P/N#	Cable Rack Width
46005	5.00"
46006	6.00"
46009	9.00"
46010	10.00"
46012	12.00"
46015	15.00"

460xx Series Predrilled Earthquake Mount Solid Bar Cable Rack	
CSF P/N#	Cable Rack Width
46018	18.00"
46020	20.00"
46024	24.00"
46025	25.00"

- Notes:
- Alternate cross members have reinforcing rib on 25.00" width and up.
 - This product color defaults to DG, other colors available upon request.
 - Other widths available upon request.
 - Cable Racks are 116.50" in length.

Specifications subject to change. Please contact CSF Customer Service for more information.