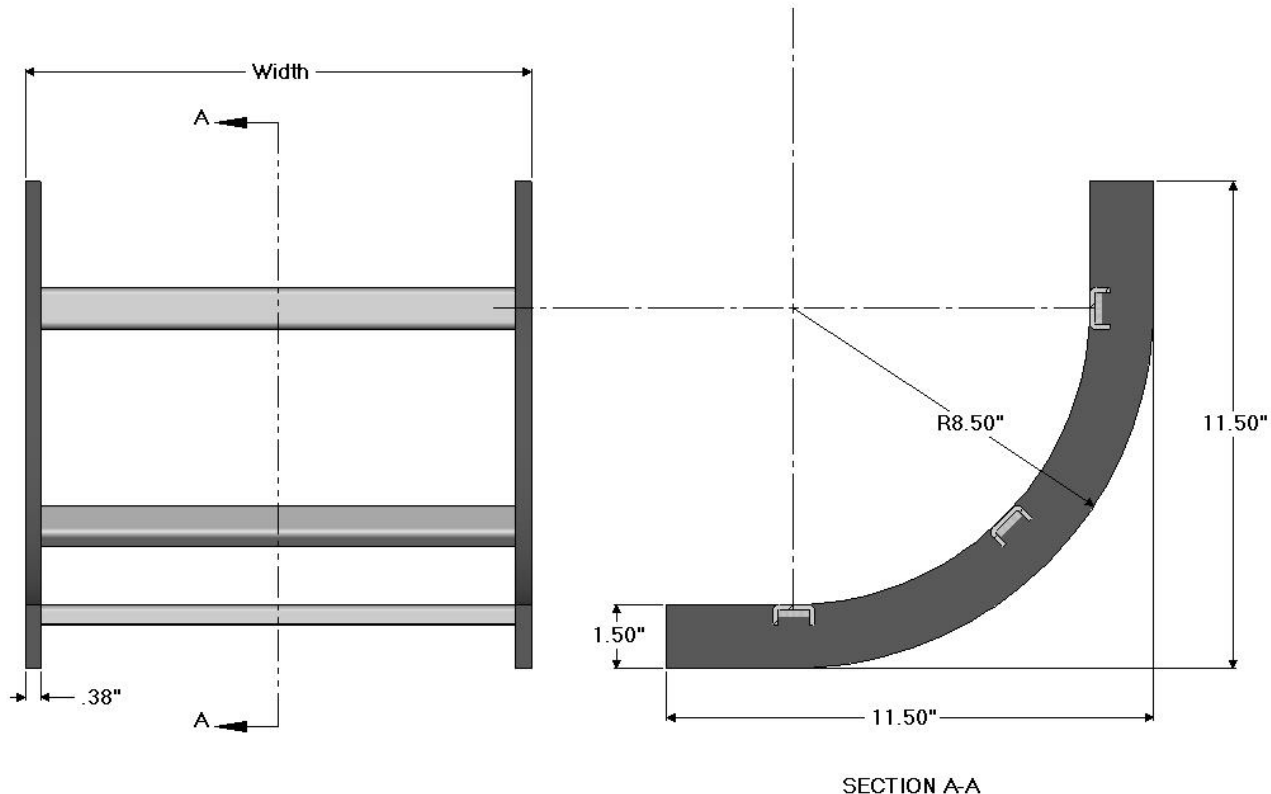




114xx Series - 1.50" Solid Bar 90 Degree Inside Cable Rack



114xx Series 1.50" Solid Bar 90 Degree Inside Cable Rack	
CSF P/N#	Width
11405xx	5.00"
11406xx	6.00"
11409xx	9.00"
11410xx	10.00"
11412xx	12.00"
11415xx	15.00"
11418xx	18.00"
11420xx	20.00"

114xx Series 1.50" Solid Bar 90 Degree Inside Cable Rack	
CSF P/N#	Width
11424xx	24.00"
11425xx	25.00"
11430xx	30.00"
11436xx	36.00"

Notes:

- Zinc and yellow plating is UL grounding conductor.
- Alternate cross members have reinforcing rib on 25.00" width and up.
- Other widths and finishes available upon request.
- Certain sizes subject to minimum order quantities and longer lead times.

Specifications subject to change. Please contact CSF Customer Service for more information.